

Ethernet Connector Daughter Card

CONTENTS

Page 00 - Table of Contents
Page 01 - Ethernet Adapter

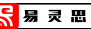
REVISION HISTORY

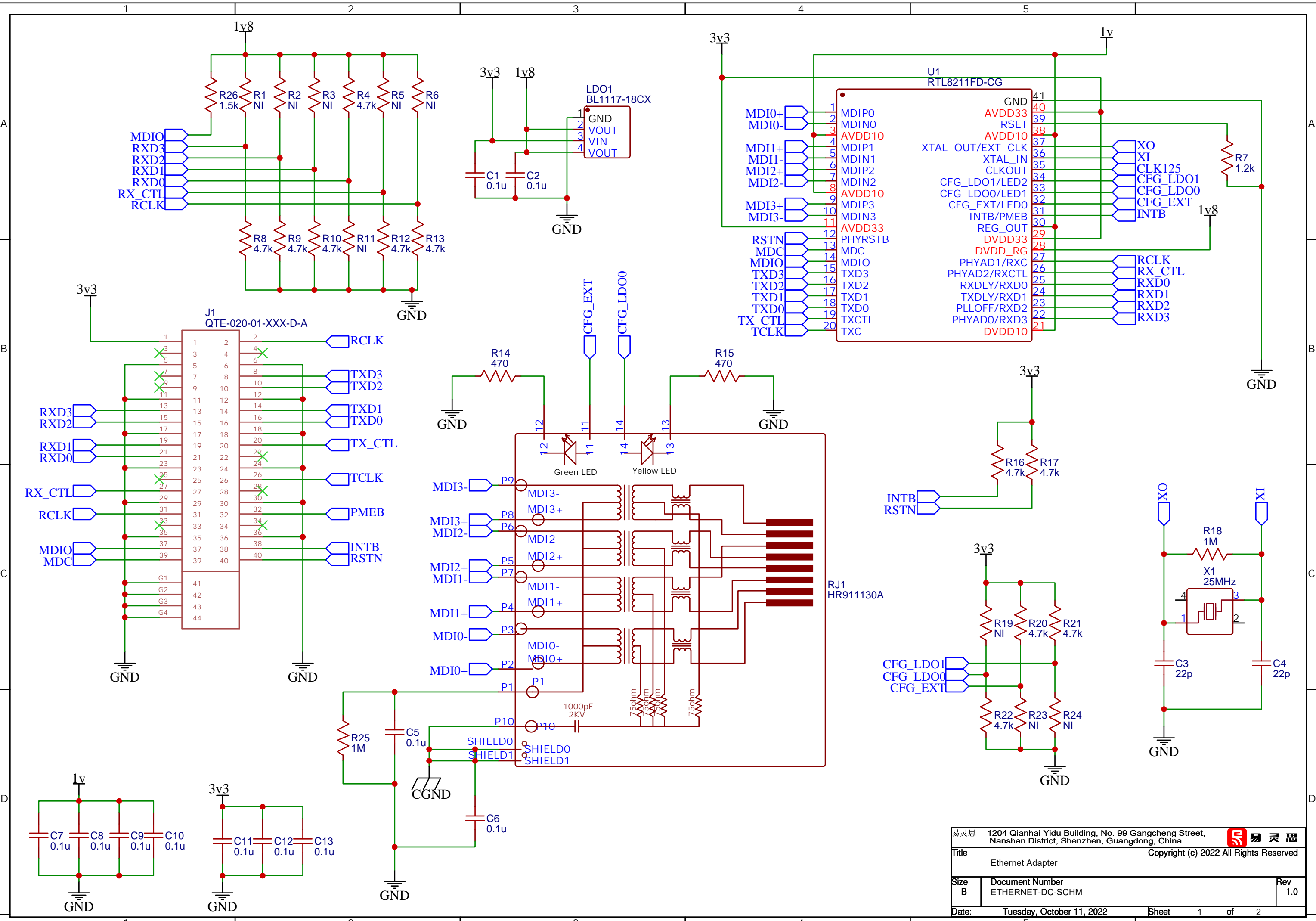
1.0 10/11/2022 HANSON Initial release

All material must comply with:

1. The requirements of the European Union RoHS 2 Directive 2017/2102 (Amendment to 2011/65/EU) with no exceptions unless authorized.
2. The requirements of EC 1907/2006 and not contain any of the Substances of Very High Concern (SVHC) listed under the latest REACH requirements. (Amendments EU 2017/999, EU 2017/1510, EU 2018/35).

No changes to Elitestek bill of materials is allowed unless approved in writing by Elitestek Product Engineering Group. These changes will be maintained in the document revision history via ECN.

易灵思 1204 Qianhai Yidu Building, No. 99 Gangcheng Street, Nanshan District, Shenzhen, Guangdong, China			
Title		Table of Contents	
		Copyright (c) 2022 All Rights Reserved	
Size	Document Number	Rev	
B	ETHERNET-DC-SCHM	1.0	
Date:	Tuesday, October 11, 2022	Sheet	1 of 2



易灵思 1204 Qianhai Yidu Building, No. 99 Gangcheng Street, Nanshan District, Shenzhen, Guangdong, China		易灵思	
Title		Ethernet Adapter	
Size		Document Number	
B	ETHERNET-DC-SCHM	Rev 1.0	
Date:	Tuesday, October 11, 2022	Sheet	1 of 2



ID	Name	Designator	Footprint	Quantity	Manufacturer Part	Manufacturer	Supplier Part
1	0.1u	C1,C2,C5,C6,C7,C8,C9,C10,C11,C12,C13	C0402	11	CL05B104KO5NNNC	SAMSUNG	C1525
2	22p	C3,C4	C0402	2	TCC0402COG220J500AT	CCTC	C696857
3	QTE-020-01-XXX-D-A	J1	QTE-020-01-XXX-D-A	1			
4	BL1117-18CX	LDO1	SOT-223-4_L6.5-W3.5-P2.30-LS7.0-BR	1	BL1117-18CX	BL	C78971
5	4.7k	R4,R8,R9,R10,R12,R13,R16,R17,R20,R21,R22	R0402	11	RMC04024.7K1%N	Tyohm	C270129
6	1.2k	R7	R0402	1	0402WGF1201TCE	UniOhm	C25862
7	470	R14,R15	R0402	2	WR04X4700FTL	WALSIN	C163829
8	1M	R18,R25	R0402	2	AECR0402F1M00K9	ResistorToday	C328306
9	1.5k	R26	R0402	1	MCR01MZPF1501	ROHM Semicon	C509316
10	HR911130A	RJ1	RJ45-TH_HR911130A	1	HR911130A	HANRUN	C54408
11	RTL8211FD-CG	U1	QFN-40_L5.0-W5.0-P0.40-BL-EP3.7	1	RTL8211FD-CG	REALTEK	C2687133
12	25MHz	X1	OSC-SMD_4P-L3.2-W2.5-BL	1	7V25000027	TXC Corp	C337603



Disclaimers

易灵思 DOES NOT PROVIDES ANY WARRANTY OF ACCURACY, COMPLETENESS, MERCHANTABILITY OR NONINFRINGEMENT OF THIRD-PARTY RIGHTS ON THIS DOCUMENT. THE INFORMATION IN THIS DOCUMENT IS "AS IS". IN NO EVENT WILL 易灵思 BE LIABLE FOR ANY EXEMPLARY, SPECIAL, CONSEQUENTIAL, INDIRECT, OR INCIDENTAL DAMAGES, INCLUDING ANY LOSS OF DATA, LOST OF PROFITS, LOSS OF INFORMATION, LOSS OF LIFE OR BUSINESS INTERRUPTION, ARISING FROM YOUR USE OF THIS DOCUMENT.

易灵思 shall make changes to this document at any time without notification. 易灵思 assumes no obligation to correct any errors contained in this document or to advise any user of this document of any correction if such be made. 易灵思 advise its customers obtain the latest FPGA schematic before ordering so that no conflict of information correctness afterward.