



Sapphire RISC-V SoC Data Sheet

DS-SAPPHIRE-v4.0
December 2023
www.elitestek.com



Contents

Introduction.....	4
VexRiscv RISC-V Core.....	5
Features.....	6
Functional Description.....	11
Address Map.....	12
Flash Address.....	15
Clocks.....	15
Interrupts.....	15
Resets.....	15
AXI Interface.....	16
APB3 Interface.....	22
JTAG Interface.....	22
Custom Instruction Interface.....	23
GPIO Peripheral Interface.....	24
Input Register: 0x0000_0000.....	24
Output Register: 0x0000_0004.....	24
Output Enable Register: 0x0000_0008.....	25
Interrupt Rise Enable Register: 0x0000_0020.....	25
Interrupt Fall Enable Register: 0x0000_0024.....	25
Interrupt High Enable Register: 0x0000_0028.....	25
Interrupt Low Enable Register: 0x0000_002C.....	25
I ² C Peripheral Interface.....	26
txData Register: 0x0000_0000.....	27
txAck Register: 0x0000_0004.....	27
rxData Register: 0x0000_0008.....	28
rxAck Register: 0x0000_000C.....	28
Interrupt Register: 0x0000_0020.....	29
Interrupt Clears Register: 0x0000_0024.....	30
Sampling Clock Divider Register: 0x0000_0028.....	30
Timeout Register: 0x0000_002C.....	31
tsuData Register: 0x0000_0030.....	31
Master Status Register: 0x0000_0040.....	32
Slave Status Register: 0x0000_0044.....	33
Slave Override Register: 0x0000_0048.....	33
tLow Register: 0x0000_0050.....	33
tHigh Register: 0x0000_0054.....	34
tBuf Register: 0x0000_0058.....	34
Hit Context Register: 0x0000_0080.....	34
Filtering Status Register: 0x0000_0084.....	35
Filtering Configuration 0 Register: 0x0000_0088.....	35
Filtering Configuration 1 Register: 0x0000_008C.....	35
PLIC Peripheral Interface.....	36
SPI Master Peripheral Interface.....	37
Cmd Register: 0x0000_0000.....	38
RSP Register: 0x0000_0004.....	38
Config Register: 0x0000_0008.....	39
Interrupt Register: 0x0000_000C.....	39
clockDivider Register: 0x0000_0020.....	40
ssSetup Register: 0x0000_0024.....	40
ssHold Register: 0x0000_0028.....	40
ssDisable Register: 0x0000_002C.....	41
ssActiveHigh Register: 0x0000_0030.....	41
cmd_writeLarge Register: 0x0000_0050.....	41
cmd_readWriteLarge Register: 0x0000_0054.....	41

cmd_readLarge Register: 0x0000_0058.....	42
UART Peripheral Interface.....	43
Data Register: 0x0000_0000.....	43
Status Register: 0x0000_0004.....	44
Clock Divider Register: 0x0000_0008.....	44
Config Register: 0x0000_000C.....	45
Error Break Register: 0x0000_0010.....	46
User Timer.....	47
Prescaler Register: 0x0000_0000.....	47
Timer Configuration Register: 0x0000_0040.....	47
Timer Limit Register: 0x0000_0044.....	48
Timer Value Register: 0x0000_0048.....	48
Clint.....	49
PIP Register: 0x0000_0000.....	49
MTIMECMP Register (LO): 0x0000_4000.....	49
MTIMECMP Register (HI): 0x0000_4004.....	49
MTIME Register (LO): 0x0000_BFF8.....	49
MTIME Register (HI): 0x0000_BFFC.....	50
Control and Status Registers.....	51
Machine-Level CSR.....	52
Machine Status Register (mstatus): 0x300.....	52
Machine Interrupt Enable Register (mie): 0x304.....	53
Machine Trap-Vector Base-Address Register (mtvec): 0x305.....	54
Machine Scratch Register (mscratch): 0x340.....	54
Machine Exception Program Counter (mepc): 0x341.....	54
Machine Cause Register (mcause): 0x342.....	54
Machine Value Register (mtval): 0x343.....	55
Machine Interrupt Pending Register (mip): 0x344.....	56
Hart ID Register (mhartid): 0xF14.....	56
Timer Related CSR.....	56
Floating-Point Related CSR.....	57
Supervisor-Level CSR.....	58
Supervisor Status Register (sstatus): 0x100.....	58
Supervisor Interrupt Enable Register (sie): 0x104.....	59
Supervisor Trap-Vector Base-Address Register (stvec): 0x305.....	59
Supervisor Scratch Register (sscratch): 0x140.....	60
Supervisor Exception Program Counter (sepc): 0x141.....	60
Supervisor Cause Register (scause): 0x142.....	61
Supervisor Trap Value Register (stval): 0x143.....	62
Supervisor Interrupt Pending Register (sip): 0x144.....	62
Supervisor Address Translation Protection Register (satp): 0x180.....	62
Revision History.....	63

Introduction

易灵思 provides the configurable, cached soft RISC-V SoC, Sapphire, which optionally includes a memory controller interface. The Sapphire SoC supports a variety of peripherals. You can choose which peripherals you want by configuring the SoC in the Efinity® IP Manager. This core is similar to the open-source SaxonSOC, but it has been optimized for 钛金系列 and Trion® FPGAs.

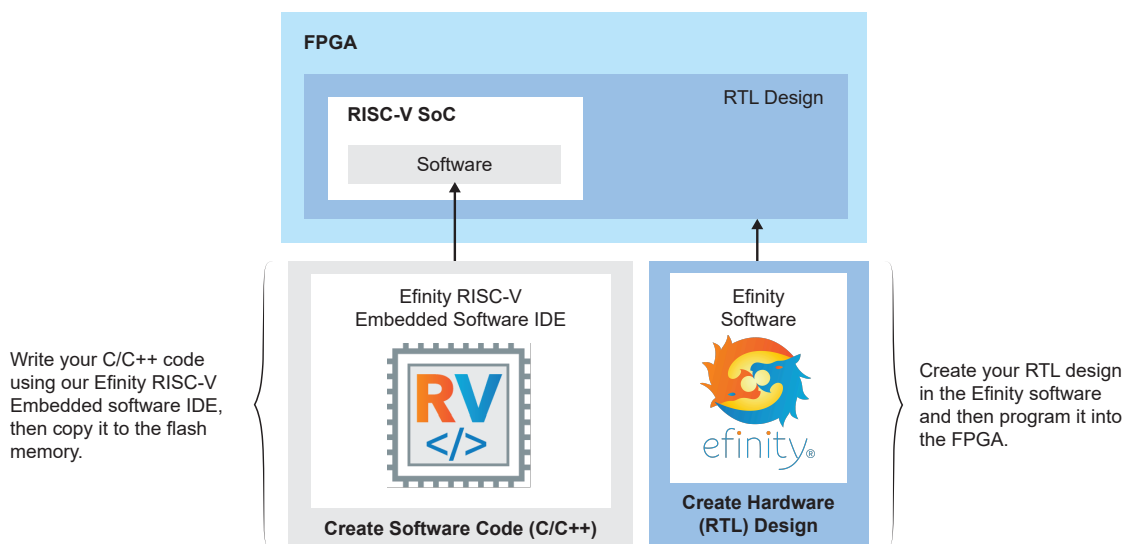


Important: You should use the Sapphire SoC for all new designs; the Ruby, Jade, and Opal SoCs are end of life with the Efinity® software v2022.1.

Table 1: SoC Version Compatibility

Efinity Version	SoC Version	Notes
2021.1 (and all patches)	1.x	Initial version with limited feature set. You can continue to use this version with the Efinity software v2021.1.
2021.2 and higher (and all patches)	2.0 and higher	Enhanced version with additional features, such as custom instructions, floating point unit, Linux memory management unit, optional RISC-V extensions (atomic and compressed), and up to 3 user timers. This version is not backwards compatible with v1.x. Use this version for all new designs.

Figure 1: Sapphire RISC-V SoC Design Flow



Learn more: For details on developing RTL designs or creating software, refer to the Sapphire RISC-V Hardware and Software User Guide.

VexRiscv RISC-V Core

The Sapphire SoC is based on the VexRiscv core created by Charles Papon. The VexRiscv core is a 32-bit CPU using the ISA RISC-V32I with M, A, F, D, and C extensions, has six pipeline stages (fetch, injector, decode, execute, memory, and writeback), and a configurable feature set.

In the Sapphire SoC, the VexRiscv core is user configurable, and can support AXI4 and APB3 bus interfaces and instruction and data caches. The Sapphire SoC VexRiscv core uses Little-Endian for its memory storage.

The VexRiscv core won first place in the RISC-V SoftCPU contest in 2018.⁽¹⁾

⁽¹⁾ <https://www.businesswire.com/news/home/20181206005747/en/RISC-V-SoftCPU-Contest-Winners-Demonstrate-Cutting-Edge-RISC-V>

Features

- 1 - 4 (user selectable) VexRiscv processor(s) with 6 pipeline stages (fetch, injector, decode, execute, memory, and write back), interrupts and exception handling with machine mode
- 20 - 400 MHz system clock frequency
- 1 - 512 KB on-chip RAM with boot loader for SPI flash
- Memory controller for DDR3, LPDDR4x or HyperRAM memories
 - Supports memory module sizes from 4 MB to 3.5 GB
 - User-configurable external memory bus frequency
 - 1 half-duplex AXI3 interface (up to 512-bits) or 1 full-duplex AXI4 interface (up to 512-bits) to communicate with the external memory
 - 400 MHz DDR3 clock frequency, 800 Mbps
 - 1089 MHz LPDDR4x clock frequency, 2178 Mbps
 - 250 MHz HyperRAM clock frequency, 500 Mbps
- Up to 2 AXI master channels for user logic, data widths from 32 to 512
- 1 AXI slave channel to user logic
- Includes an optional multi-way instruction and Data Cache
- Includes a floating point unit (FPU)
- Includes an optional Linux memory management unit (MMU)
- Includes an optional custom instruction interface with 1,024 IDs to perform various functions
- Supports optional RISC-V extensions such as atomic and compressed
- APB3 peripherals:
 - Up to 32 GPIOs
 - Up to 3 I²C masters
 - Clint timer
 - Platform-level interrupt controller (PLIC)
 - Up to 3 SPI masters
 - Up to 3 user timers
 - Up to 3 UARTs with 115,200 baud rate
 - Up to 5 slave user peripherals
 - Up to 8 user interrupts

FPGA Support

The Sapphire SoC supports all Trion[®] FPGAs (except the T4) and all 钛金系列 FPGAs, however, you may only be able to use some of the features in certain devices. For example, the DDR controller only works with FPGAs that have a hardened DDR controller block.

钛金系列 Resource Utilization and Performance

The Sapphire is configurable. These tables show the resource usage for various configurations.

Table 2: Cacheless SoC with External Memory

Standard option

FPGA	Logic/Adders	FlipFlops	Memory Blocks	DSP48 Blocks	f _{MAX} (MHz)	Efinity Version
Ti60 F225 C4 (typical)	7,157	7,585	44	4	360	2023.2
Ti60 F225 C4 (custom instruction)	7,405	7,623	44	4	354	2023.2

Table 3: Cacheless SoC without External Memory

Standard option

FPGA	Logic/Adders	FlipFlops	Memory Blocks	DSP48 Blocks	f _{MAX} (MHz)	Efinity Version
Ti60 F225 C4 (typical)	4,519	3,067	12	4	350	2023.2
Ti60 F225 C4 (custom instruction)	4,541	3,104	12	4	371	2023.2

Table 4: Cached SoC with External Memory

Standard option

FPGA	Logic/Adders	FlipFlops	Memory Blocks	DSP48 Blocks	f _{MAX} (MHz)	Efinity Version
Ti60 F225 C4 (typical)	7,773	8,024	56	4	393	2023.2
Ti60 F225 C4 (custom instruction)	7,822	8,065	56	4	382	2023.2
Ti60 F225 C4 (FPU)	14,428	12,148	77	13	285	2023.2
Ti60 F225 C4 (2 cores)	14,777	13,077	103	8	322	2023.2
Ti60 F225 C4 (3 cores)	19,127	15,410	127	12	317	2023.2
Ti60 F225 C4 (4 cores)	23,389	17,673	150	16	317	2023.2

Table 5: Cached SoC without External Memory

Standard option

FPGA	Logic/Adders	FlipFlops	Memory Blocks	DSP48 Blocks	f _{MAX} (MHz)	Efinity Version
Ti60 F225 C4 (typical)	5,051	3,483	24	4	390	2023.2
Ti60 F225 C4 (custom instruction)	5,030	3,525	24	4	384	2023.2
Ti60 F225 C4 (FPU)	11,696	7,621	44	13	288	2023.2
Ti60 F225 C4 (2 cores)	11,871	8,234	62	8	321	2023.2
Ti60 F225 C4 (3 cores)	15,894	10,555	87	12	325	2023.2
Ti60 F225 C4 (4 cores)	19,967	12,806	110	16	306	2023.2

Table 6: Cacheless SoC

Lite option

FPGA	Logic/Adders	FlipFlops	Memory Blocks	DSP48 Blocks	f _{MAX} (MHz)	Efinity Version
Ti60 F225 C4 (external memory)	3,316	2,734	14	0	363	2023.2
Ti60 F225 C4 (internal memory)	2,729	1,909	24	0	385	2023.2

Table 7: Cached SoC

Lite option

FPGA	Logic/Adders	FlipFlops	Memory Blocks	DSP48 Blocks	f _{MAX} (MHz)	Efinity Version
Ti60 F225 C4 (external memory)	3,659	2,923	26	0	329	2023.2
Ti60 F225 C4 (internal memory)	3,285	2,087	36	0	381	2023.2

Trion Resource Utilization and Performance

The Sapphire is configurable. These tables show the resource usage for various configurations.

Table 8: Cacheless SoC with External Memory

Standard option]

FPGA	Logic/Adders	FlipFlops	Memory Blocks	DSP Blocks	f _{MAX} (MHz)	Efinity Version
T120 F324 (typical)	7,230	7,731	48	4	106	2023.2
T120 F324 (custom instruction)	7,306	7,770	48	4	105	2023.2

Table 9: Cacheless SoC without External Memory

Standard option

FPGA	Logic/Adders	FlipFlops	Memory Blocks	DSP Blocks	f _{MAX} (MHz)	Efinity Version
T120 F324 (typical)	4,588	3,208	16	4	110	2023.2
T120 F324 (custom instruction)	4,557	3,251	16	4	99	2023.2

Table 10: Cached SoC with External Memory

Standard option

FPGA	Logic/Adders	FlipFlops	Memory Blocks	DSP Blocks	f _{MAX} (MHz)	Efinity Version
T120 F324 (typical)	7,915	8,175	67	4	116	2023.2
T120 F324 (custom instruction)	8,017	8,217	67	4	105	2023.2
T120 F324 (FPU)	14,842	12,519	80	13	86	2023.2
T120 F324 (2 cores)	14,861	13,352	109	8	87	2023.2
T120 F324 (3 cores)	19,444	15,817	136	12	90	2023.2
T120 F324 (4 cores)	23,093	18,216	162	16	89	2023.2

Table 11: Cached SoC without External Memory

Standard option

FPGA	Logic / Adders	FlipFlops	Memory Blocks	DSP Blocks	f _{MAX} (MHz)	Efinity Version
T120 F324 (typical)	5,051	3,626	35	4	113	2023.2
T120 F324 (custom instruction)	5,063	3,672	35	4	103	2023.2
T120 F324 (FPU)	12,377	8,034	47	13	83	2023.2
T120 F324 (2 cores)	11,992	8,507	68	8	89	2023.2
T120 F324 (3 cores)	16,461	10,960	96	12	91	2023.2
T120 F324 (4 cores)	20,630	13,343	122	16	94	2023.2

Table 12: Cacheless SoC

Lite option

FPGA	Logic/Adders	FlipFlops	Memory Blocks	DSP Blocks	f _{MAX} (MHz)	Efinity Version
T120 F324 (external memory)	3,386	2,748	18	0	103	2023.2
T120 F324 (internal memory)	2,726	1,923	40	0	111	2023.2

Table 13: Cached SoC

Lite option

FPGA	Logic/Adders	FlipFlops	Memory Blocks	DSP Blocks	f_{MAX} (MHz)	Efinity Version
T120 F324 (external memory)	4,035	2,970	37	0	109	2023.2
T120 F324 (internal memory)	3,330	2,135	59	0	113	2023.2

Performance Benchmark

The performance of the CPU can be benchmarked with Dhrystone and Coremark benchmark programs for easier comparison between processors. While the Sapphire SoC uses the same VexRiscv core, the configurations such as memory, cache, and additional extensions would affect the performance of the system. The Dhrystone and CoreMark scores for each of the configurations are tabulated in the table based on Trion T120 F324 Development Board.

Development board: Trion T120 F324

Efinity version 2023.1

Table 14: Performance Benchmark 1

Constants: Frequency @ 50 MHz with External Memory (DDR3), Legend: 1 = Enabled; 0 = Disabled

Option	Cache	Instruction and Data Way (kB)	Instruction and Data Size (kB)	FPU	Atomic	Compressed	Coremark (/MHz)	Dhrystone (/MHz)
Standard	1	1	4	0	0	0	1.74	0.89
Standard	1	4	4	0	0	0	1.86	1.05
Standard	1	8	32	0	0	0	1.90	1.05
Standard	1	1	4	1	0	0	1.77	0.91
Standard	1	4	4	0	1	1	1.86	1.03
Standard	1	4	4	1	0	0	1.84	1.05
Standard	0	1	4	0	0	0	0.51	0.12
Lite	1	1	4	0	0	0	0.61	0.60
Lite	0	1	4	0	0	0	0.39	0.14

Table 15: Performance Benchmark 2

Constants: Frequency @ 50 MHz with Internal Memory, Legend: 1 = Enabled; 0 = Disabled

Option	Cache	Instruction and Data Way (kB)	Instruction and Data Size (kB)	FPU	Atomic	Compressed	Coremark (/MHz)	Dhrystone (/MHz)
Standard	1	1	4	0	0	0	1.81	0.97
Standard	1	4	4	0	0	0	1.88	1.05
Standard	1	8	32	0	0	0	1.90	1.05
Standard	1	1	4	1	0	0	1.84	0.99
Standard	1	4	4	0	1	1	1.82	1.02
Standard	1	4	4	1	0	0	1.89	1.06
Standard	0	1	4	0	0	0	1.69	0.86
Lite	1	1	4	0	0	0	0.62	0.72
Lite	0	1	4	0	0	0	0.60	0.75

Functional Description

The Sapphire SoC incorporates 1 to 4 32-bit RISC-V processors that have an instruction cache with up to 8 ways and a configurable size of 1 - 32 KB, a data cache with up to 8 ways and a configurable size of 1 - 32 KB, 1 - 512 KB of on-chip RAM, and a variety of peripherals (including 1 - 5 APB3 slave peripherals and 1 AXI slave). You can configure the operating frequency from 20 - 400 MHz (the actual performance is limited by the design's f_{MAX}). The SoC includes 1 - 3 I²C peripherals, 1 - 3 UARTs, 1 - 3 user timers, 1 - 8 user interrupts, and 1 - 3 SPI masters. The SoC also features a floating-point unit (FPU) and Linux memory management unit (MMU).

The default configuration has up to a 512-bit half-duplex and full-duplex AXI bus to communicate with the 易灵思 LPDDR4x controller or HyperRAM controller.

- DDR controller—This core uses the Trion FPGAs hard DDR DRAM interface to reset an external DRAM module (resets and re-initializes the Trion FPGA's DDR interface as well as the DDR module(s)).
- HyperRAM controller—This core controls HyperRAM memory modules.

You can customize the SoC using the IP Manager in the Efinity[®] software.

Figure 2: Sapphire SoC Block Diagram

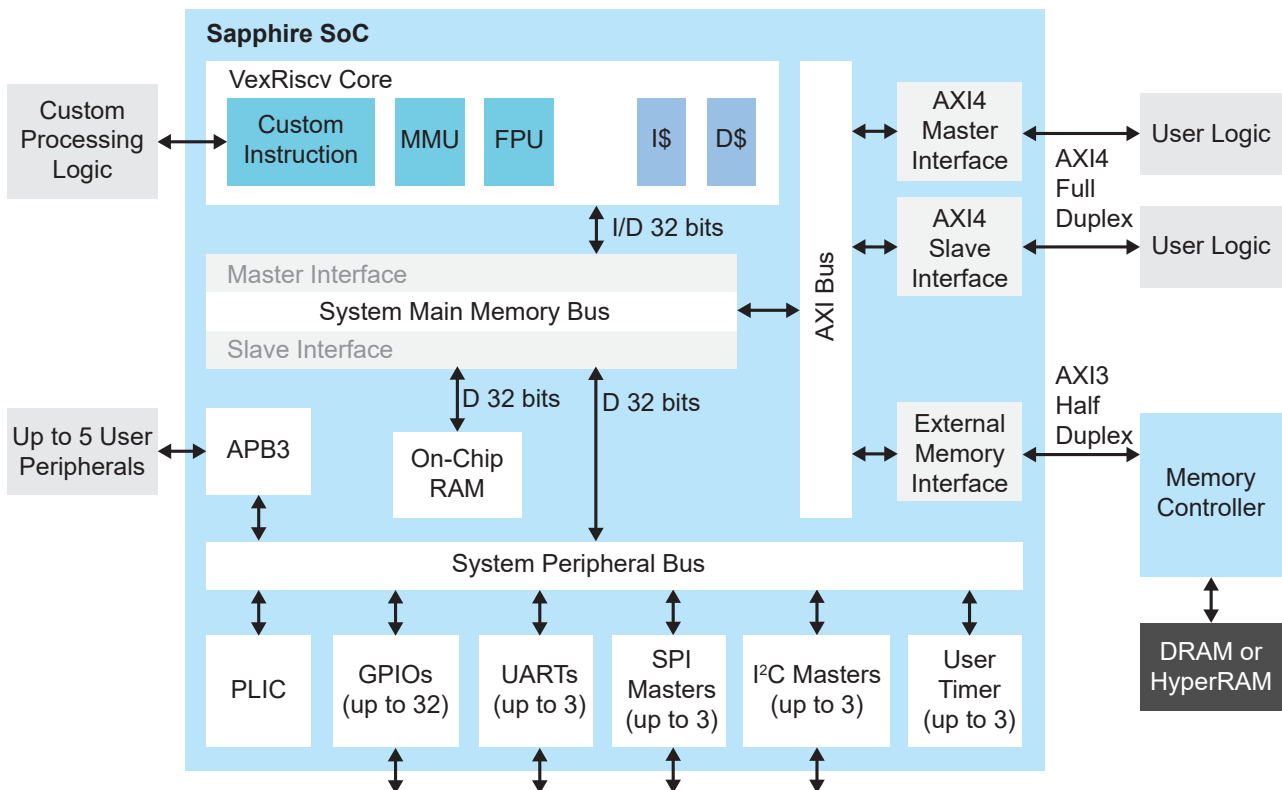
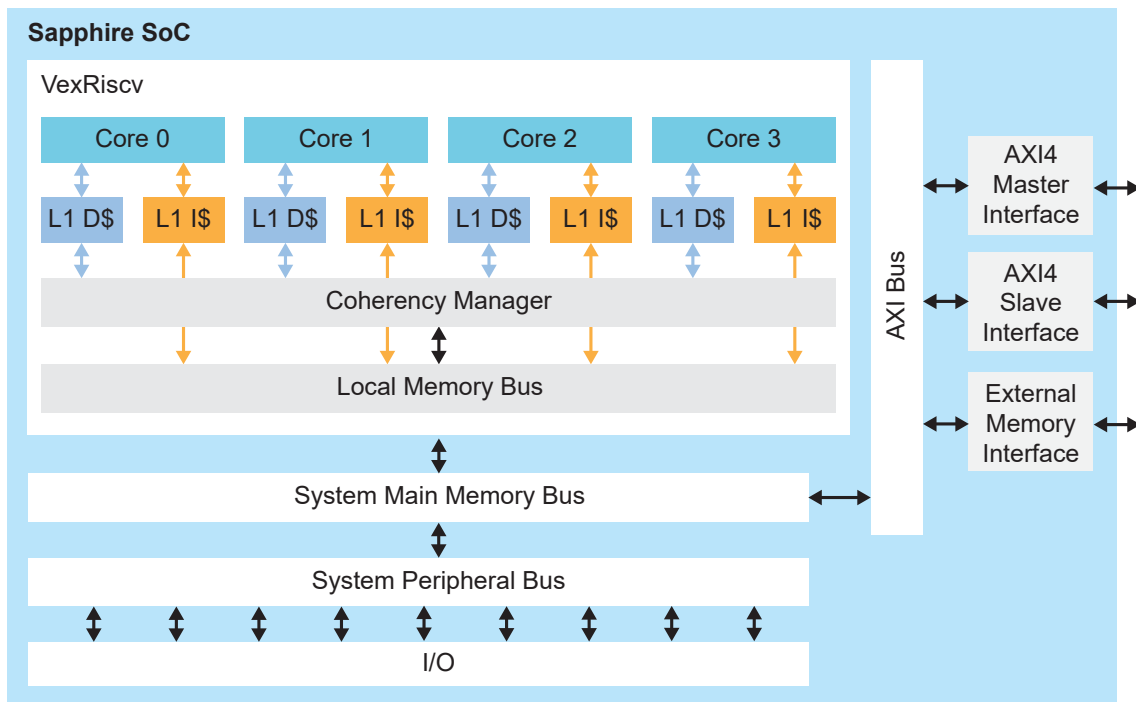


Figure 3: Sapphire SoC with Multiple Cores Block Diagram



Address Map

Because the address range might be updated, 易灵思 recommends that you always refer to the parameter name when referencing an address in firmware, not by the actual address. The parameter names and address mappings are defined in `/embedded_sw/<module>/bsp/efinix/EfxSapphireSoc/include/soc.h`.



Note: If you need to update the address map, use the IP Configuration wizard to change the addressing and then re-generate the SoC. Using this method keeps the software `soc.h` and FPGA netlist definitions aligned.

Table 16: Default Address Map, Interrupt ID, and Cached Channels

The AXI user slave channel is in a cacheless region (I/O) for compatibility with AXI-Lite.

Device	Parameter	Size	Interrupt ID	Region
Off-chip memory	SYSTEM_DDR_BMB	4 MB to 3.5 GB	–	Cache
GPIO 0	SYSTEM_GPIO_0_IO_CTRL	4 K	[0]: 12 [1]: 13	I/O
GPIO 1	SYSTEM_GPIO_1_IO_CTRL	4 K	[0]: 14 [1]: 15	I/O
I ² C 0	SYSTEM_I2C_0_IO_CTRL	4 K	8	I/O
I ² C 1	SYSTEM_I2C_1_IO_CTRL	4 K	9	I/O
I ² C 2	SYSTEM_I2C_2_IO_CTRL	4 K	10	I/O
Core timer	SYSTEM_CLINT_CTRL	4 K	–	I/O
PLIC	SYSTEM_PLIC_CTRL	4 K	–	I/O
SPI master 0	SYSTEM_SPI_0_IO_CTRL	4 K	4	I/O
SPI master 1	SYSTEM_SPI_1_IO_CTRL	4 K	5	I/O
SPI master 2	SYSTEM_SPI_2_IO_CTRL	4 K	6	I/O
UART 0	SYSTEM_UART_0_IO_CTRL	4 K	1	I/O
UART 1	SYSTEM_UART_1_IO_CTRL	4 K	2	I/O

Device	Parameter	Size	Interrupt ID	Region
UART 2	SYSTEM_UART_2_IO_CTRL	4 K	3	I/O
User timer 0	SYSTEM_USER_TIMER_0_CTRL	4 K	19	I/O
User timer 1	SYSTEM_USER_TIMER_1_CTRL	4 K	20	I/O
User timer 2	SYSTEM_USER_TIMER_2_CTRL	4 K	21	I/O
User peripheral 0	IO_APB_SLAVE_0_CTRL	4 K to 1 MB	–	I/O
User peripheral 1	IO_APB_SLAVE_1_CTRL	4 K to 1 MB	–	I/O
User peripheral 2	IO_APB_SLAVE_2_CTRL	4 K to 1 MB	–	I/O
User peripheral 3	IO_APB_SLAVE_3_CTRL	4 K to 1 MB	–	I/O
User peripheral 4	IO_APB_SLAVE_4_CTRL	4 K to 1 MB	–	I/O
On-chip BRAM	SYSTEM_RAM_A_BMB	1 - 512 KB	–	Cache
AXI user slave	SYSTEM_AXI_A_BMB	1 K to 256 MB	–	I/O
External interrupt	–	–	[0]: 16 [1]: 17 [2]: 22 [3]: 23 [4]: 24 [5]: 25 [6]: 26 [7]: 27	I/O

When accessing the addresses in the I/O region, type casting the pointer with the keyword `volatile`. The compiler recognizes this as a memory-mapped I/O register without optimizing the read/write access. An example of the casting is shown by the following command:

```
*((volatile u32*) address);
```

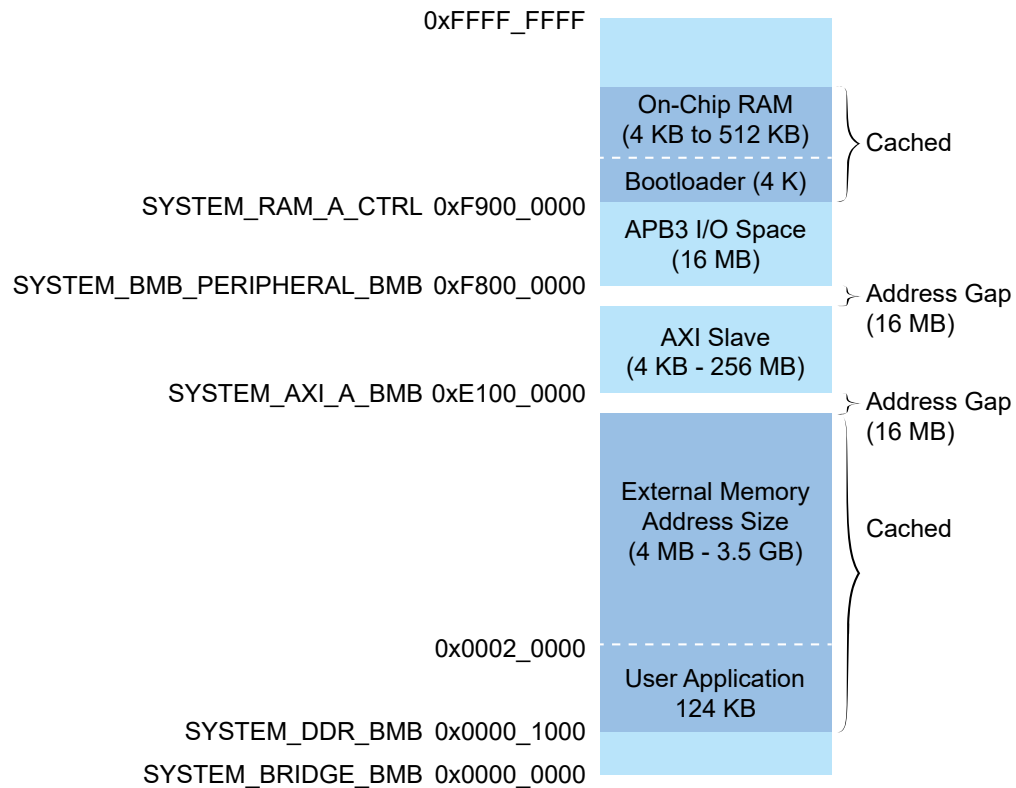
For the cached regions, the burst length is equivalent to an AXI burst length of 8. For the I/O region, the burst length is equivalent to an AXI burst length of 1. The AXI user slave is compatible with AXI-Lite by disconnecting unused outputs and driving a constant 1 to the input port.



Note: The RISC-V GCC compiler does not support user address spaces starting at 0x0000_0000.

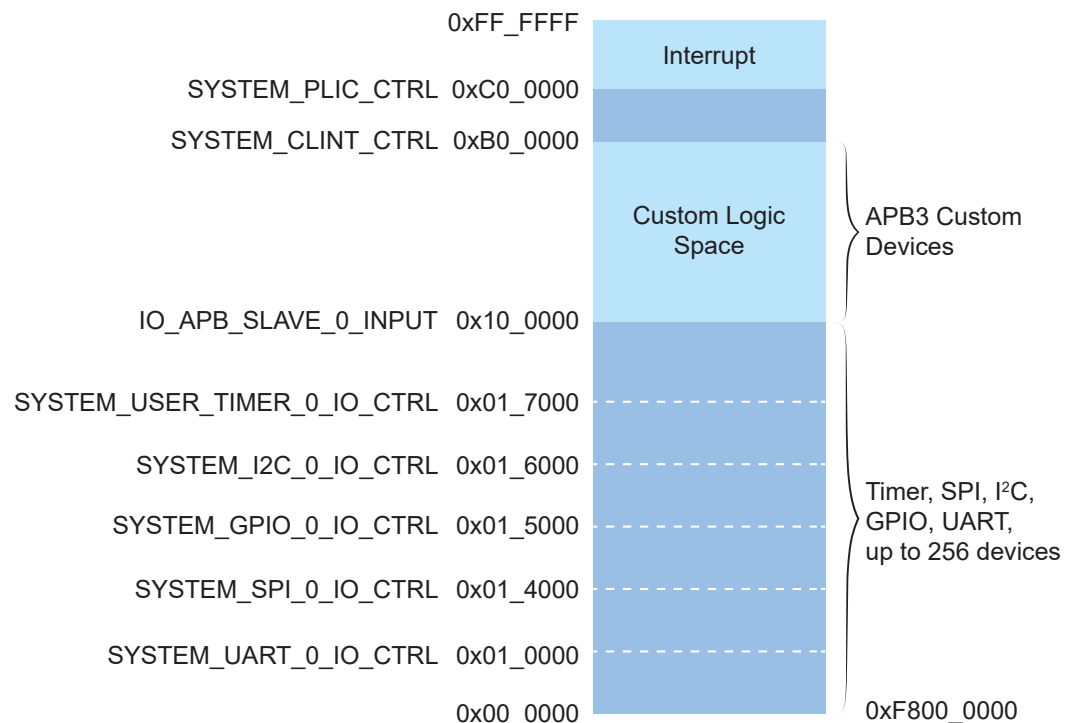
The following figure shows the default address map and the corresponding software parameters for modules in the memory space.

Figure 4: Sapphire Memory Space



The following figure shows the default address map and the corresponding software parameters for I/O.

Figure 5: Sapphire I/O Space



Default I/O address offset: 0xF800_0000

Total: 16 MB

Flash Address

When the FPGA boots up, the Sapphire SoC copies your binary application file from a SPI flash device to the DDR DRAM module, and then begins execution. The SPI flash binary address starts at 0x0038_0000.

Clocks

Table 17: Clock Ports

Port	Direction	Description
io_systemClock	Input	Provides a 20 - 400 MHz clock for the SoC.
io_peripheralClock	Input	Provides a 20 - 200 MHz clock for the APB3 peripherals and AXI4 slave.
io_memoryClock	Input	Provides a clock for the external memory bus. The frequency is user defined.

Interrupts

Table 18: Interrupt Ports

Port	Direction	Description
userInterruptA userInterruptB userInterruptC userInterruptD userInterruptE userInterruptF userInterruptG userInterruptH	Input	Provides external interrupts.
axiAInterrupt	Input	User AXI slave channel interrupt.

Resets

The Sapphire SoC has as master reset signal, `io_asyncReset` that triggers a system reset. Your RTL design should hold `io_asyncReset` for 10 ns to reset the whole SoC system completely. When you assert `io_asyncReset`, the SoC asserts:

- `io_systemReset`, which resets the RISC-V processor, on-chip memory, and peripherals.
- `io_peripheralReset`, which resets the APB3 peripherals and AXI4 slave.
- `io_memoryReset`, which resets the memory controller, external memory module, I²C master and slave connected to the memory controller, and any user logic.
- `io_ddrMasters_0_reset`, which responds to the reset for AXI master channel 0 and is synchronized to `io_ddrMasters_0_clk`.
- `io_ddrMasters_1_reset`, which responds to the reset for AXI master channel 1 and is synchronized to `io_ddrMasters_1_clk`.

The SoC asserts the `io_memoryReset`, `io_ddrMaster_0_reset`, and `io_ddrMaster_1_reset` signals at the same time to allow the AXI masters access to the AXI cross bar once the reset completes.

Once `io_systemReset` goes low, the user binary code is executed.

Table 19: Reset Ports

Port	Direction	Description
io_asyncReset	Input	Active-high asynchronous reset for the entire system.
io_systemReset	Output	Synchronous active-high reset for the system clock (io_systemClk).
io_peripheralReset	Output	Synchronous active-high reset for the peripheral clock (io_peripheralClock).
io_memoryReset	Output	External memory reset source from the RISC-V SoC.
io_ddrMasters_0_reset io_ddrMasters_1_reset	Output	Responds to the reset for the AXI master.

AXI Interface

The Sapphire SoC has up to a 512 bit half duplex AXI3 interface or up to a 512 bit full duplex AXI4 interface to communicate to external memory. You configure it on the **Cache/Memory** tab in the IP Configuration wizard.

Additionally it has an optional full duplex AXI4 interface to connect to user logic. You configure it in the **AXI4** tab in the IP Configuration Wizard.

- There is one AXI4 slave interface, which is compatible with AXI-Lite (axlen is always 0.)
- There are two optional full duplex AXI4 master interfaces. You can configure the width as 32, 64, 128, 256, or 512 bits.



Learn more: Refer to the AMBA AXI and ACE Protocol Specification for AXI channel descriptions and handshake information.

AXI Interface to External Memory

Table 20: AXI Slave Full-Duplex Address Channel for Read and Write

Port	Direction	Description
io_ddrA_aw_valid	Output	External memory write address valid.
io_ddrA_aw_ready	Input	External memory write address ready.
io_ddrA_aw_payload_addr[31:0]	Output	External memory write address.
io_ddrA_aw_payload_id[7:0]	Output	External memory write address ID.
io_ddrA_aw_payload_region[3:0]	Output	External memory write region identifier.
io_ddrA_aw_payload_len[7:0]	Output	External memory write burst length.
io_ddrA_aw_payload_size[2:0]	Output	External memory write burst size.
io_ddrA_aw_payload_burst[1:0]	Output	External memory write burst type, INCR only.
io_ddrA_aw_payload_lock	Output	External memory write lock type.
io_ddrA_aw_payload_cache[3:0]	Output	External memory write memory type.
io_ddrA_aw_payload_qos[3:0]	Output	External memory write quality of service.
io_ddrA_aw_payload_prot[2:0]	Output	External memory write protection type.
io_ddrA_ar_valid	Output	External memory read address valid.
io_ddrA_ar_ready	Input	External memory read address ready.
io_ddrA_ar_payload_addr[31:0]	Output	External memory read address.
io_ddrA_ar_payload_id[7:0]	Output	External memory read address ID.
io_ddrA_ar_payload_region[3:0]	Output	External memory read region identifier.
io_ddrA_ar_payload_len[7:0]	Output	External memory burst length.
io_ddrA_ar_payload_size[2:0]	Output	External memory read burst size.
io_ddrA_ar_payload_burst[1:0]	Output	External memory read burst type, INCR only.

Port	Direction	Description
io_ddrA_ar_payload_lock	Output	External memory read lock type.
io_ddrA_ar_payload_cache[3:0]	Output	External memory read memory type.
io_ddrA_ar_payload_qos[3:0]	Output	External memory read quality of service.
io_ddrA_ar_payload_prot[2:0]	Output	External memory read protection type.

Table 21: AXI Slave Half-Duplex Address Channel for Read and Write

Port	Direction	Description
io_ddrA_arw_valid	Output	External memory address valid.
io_ddrA_arw_ready	Input	External memory address ready.
io_ddrA_arw_payload_addr[31:0]	Output	External memory address.
io_ddrA_arw_payload_id[7:0]	Output	External memory address ID.
io_ddrA_arw_payload_region[3:0]	Output	External memory region identifier.
io_ddrA_arw_payload_len[7:0]	Output	External memory burst length.
io_ddrA_arw_payload_size[2:0]	Output	External memory burst size.
io_ddrA_arw_payload_burst[1:0]	Output	External memory burst type, INCR only.
io_ddrA_arw_payload_lock	Output	External memory lock type.
io_ddrA_arw_payload_cache[3:0]	Output	External memory memory type.
io_ddrA_arw_payload_qos[3:0]	Output	External memory quality of service.
io_ddrA_arw_payload_prot[2:0]	Output	External memory protection type.
io_ddrA_arw_payload_write	Output	External memory address read/write selection: 0: Read 1: Write

Table 22: AXI Slave Write Data Channel

Port	Direction	Description
io_ddrA_w_valid	Output	External memory write valid.
io_ddrA_w_ready	Input	External memory write ready.
io_ddrA_w_payload_data[n:0]	Output	External memory write data. n is user configurable up to 256 bits wide.
io_ddrA_w_payload_strb[m:0]	Output	External memory write strobe. m is the width of io_ddrA_w_payload_data[n:0] divided by 8.
io_ddrA_w_payload_last	Output	External memory write last.

Table 23: AXI Slave Write Respond Channel

Port	Direction	Description
io_ddrA_b_valid	Input	External memory write respond valid.
io_ddrA_b_ready	Output	External memory respond ready.
io_ddrA_b_payload_id[7:0]	Input	External memory respond ID.
io_ddrA_b_payload_resp[1:0]	Input	External memory write respond.

Table 24: AXI Slave Read Data Channel

Port	Direction	Description
io_ddrA_r_valid	Input	External memory read valid.
io_ddrA_r_ready	Output	External memory read ready.
io_ddrA_r_payload_data[n:0]	Input	External memory read data. n is user configurable up to 256 bits wide.
io_ddrA_r_payload_id[7:0]	Input	External memory read ID.
io_ddrA_r_payload_resp[1:0]	Input	External memory read respond.
io_ddrA_r_payload_last	Input	External memory read last.

AXI Interface to User Logic

Table 25: User Slave Write Address Channel

Port	Direction	Description
axiA_awvalid	Output	User write address valid.
axiA_awready	Input	User write address ready.
axiA_awaddr[31:0]	Output	User write address.
axiA_awid[7:0]	Output	User write address ID.
axiA_awregion[3:0]	Output	User region identifier.
axiA_awlen[7:0] ⁽²⁾	Output	User burst length.
axiA_awsz[2:0]	Output	User burst size.
axiA_awburst[1:0]	Output	User burst type, INCR only.
axiA_awlock	Output	User lock type.
axiA_awcache[3:0]	Output	User memory type.
axiA_awqos[3:0]	Output	User quality of service.
axiA_awprot[2:0]	Output	User protection type.

Table 26: User Slave Write Data Channel

Port	Direction	Description
axiA_wvalid	Output	User write valid.
axiA_wready	Input	User write ready.
axiA_wdata[31:0]	Output	User write data.
axiA_wstrb[3:0]	Output	User write strobe.
axiA_wlast	Output	User write last.

Table 27: User Slave Write Respond Channel

Port	Direction	Description
axiA_bvalid	Input	User write respond valid.
axiA_bready	Output	User respond ready.
axiA_bid[7:0]	Input	User respond ID.
axiA_bresp[1:0]	Input	User write respond.

⁽²⁾ axiA_awlen always outputs 0, that is, a burst length of 1. This setting makes the, axiA channel compatible with AXI-Lite.

Table 28: User Slave Read Address Channel

Port	Direction	Description
axiA_arvalid	Output	User read address valid.
axiA_arready	Input	User read address ready.
axiA_araddr[31:0]	Output	User read address.
axiA_arid[7:0]	Output	User read address ID.
axiA_arregion[3:0]	Output	User region identifier.
axiA_arlen[7:0] ⁽³⁾	Output	User burst length.
axiA_arsize[2:0]	Output	User burst size.
axiA_arburst[1:0]	Output	User burst type, INCR only.
axiA_arlock	Output	User lock type.
axiA_arcache[3:0]	Output	User memory type.
axiA_arqos[3:0]	Output	User quality of service.
axiA_arprot[2:0]	Output	User protection type.

Table 29: User Slave Read Data Channel

Port	Direction	Description
axiA_rvalid	Input	User read valid.
axiA_rready	Output	User read ready.
axiA_rdata[31:0]	Input	User read data.
axiA_rid[7:0]	Input	User read ID.
axiA_rresp[1:0]	Input	User read respond.
axiA_rlast	Input	User read last.

Table 30: User Master Clock and Reset

Where n is the channel number.

Port	Direction	Description
io_ddrMasters_n_clk	Input	AXI master clock.
io_ddrMasters_n_reset	Output	AXI master active high reset.

⁽³⁾ axiA_arlen always outputs 0, that is, a burst length of 1. This setting makes the, axiA channel compatible with AXI-Lite.

AXI Master Interface

Table 31: User Master Write Address Channel

Where n is the channel number.

Port	Direction	Description
io_ddrMasters_n_aw_valid	Input	User write address valid.
io_ddrMasters_n_aw_ready	Output	User write address ready.
io_ddrMasters_n_aw_payload_addr[31:0]	Input	User write address.
io_ddrMasters_n_aw_payload_id[7:0]	Input	User write address ID.
io_ddrMasters_n_aw_payload_region[3:0]	Input	User region identifier.
io_ddrMasters_n_aw_payload_len[7:0]	Input	User burst length.
io_ddrMasters_n_aw_payload_size[2:0]	Input	User burst size.
io_ddrMasters_n_aw_payload_burst[1:0]	Input	User burst type, INCR only.
io_ddrMasters_n_aw_payload_lock	Input	User lock type.
io_ddrMasters_n_aw_payload_cache[3:0]	Input	User memory type.
io_ddrMasters_n_aw_payload_qos[3:0]	Input	User quality of service.
io_ddrMasters_n_aw_payload_prot[2:0]	Input	User protection type.

Table 32: User Master Write Data Channel

Where n is the channel number.

Port	Direction	Description
io_ddrMasters_n_w_valid	Input	User write valid.
io_ddrMasters_n_w_ready	Output	User write ready.
io_ddrMasters_n_w_payload_data[m:0]	Input	User write data. m is 31, 63, or 127.
io_ddrMasters_n_w_payload_strb[15:0]	Input	User write strobe.
io_ddrMasters_n_w_payload_last	Input	User write last.

Table 33: User Master Write Respond Channel

Where n is channel number.

Port	Direction	Description
io_ddrMasters_n_b_valid	Output	User write respond valid.
io_ddrMasters_n_b_ready	Input	User respond ready.
io_ddrMasters_n_b_payload_id[7:0]	Output	User respond ID.
io_ddrMasters_n_b_payload_resp[1:0]	Output	User write respond.

Table 34: User Master Read Address Channel

Where n is the channel number.

Port	Direction	Description
io_ddrMasters_n_ar_valid	Input	User read address valid.
io_ddrMasters_n_ar_ready	Output	User read address ready.
io_ddrMasters_n_ar_payload_addr[31:0]	Input	User read address.
io_ddrMasters_n_ar_payload_id[7:0]	Input	User read address ID.
io_ddrMasters_n_ar_payload_region[3:0]	Input	User region identifier.
io_ddrMasters_n_ar_payload_len[7:0]	Input	User burst length.
io_ddrMasters_n_ar_payload_size[2:0]	Input	User burst size.

Port	Direction	Description
io_ddrMasters_n_ar_payload_burst[1:0]	Input	User burst type, INCR only.
io_ddrMasters_n_ar_payload_lock	Input	User lock type.
io_ddrMasters_n_ar_payload_cache[3:0]	Input	User memory type.
io_ddrMasters_n_ar_payload_qos[3:0]	Input	User quality of service.
io_ddrMasters_n_ar_payload_prot[2:0]	Input	User protection type.

Table 35: User Master Read Data Channel

Where n is the channel number.

Port	Direction	Description
io_ddrMasters_n_r_valid	Output	User read valid.
io_ddrMasters_n_r_ready	Input	External memory read ready.
io_ddrMasters_n_r_payload_data[m:0]	Output	External memory read data. m is 31, 63, or 127.
io_ddrMasters_n_r_payload_id[7:0]	Output	External memory read ID.
io_ddrMasters_n_r_payload_resp[1:0]	Output	External memory read respond.
io_ddrMasters_n_r_payload_last	Output	External memory read last.

APB3 Interface

The following table shows the ports for the APB3 user slave peripheral. Refer to the AMBA APB Protocol Specification for APB port descriptions and handshake information.

Table 36: APB3 Ports

Where n is 0, 1, 2, 3, or 4

Port	Direction	Description
io_apbSlave_n_PADDR[15:0]	Output	User address.
io_apbSlave_n_PSEL	Output	User select.
io_apbSlave_n_PENABLE	Output	User enable.
io_apbSlave_n_PREADY	Input	User ready.
io_apbSlave_n_PWRITE	Output	User direction.
io_apbSlave_n_PWDATA[31:0]	Output	User write data.
io_apbSlave_n_PRDATA[31:0]	Input	User read data.
io_apbSlave_n_PSLVERROR	Input	User transfer failure.

JTAG Interface

The Sapphire SoC uses the JTAG User TAP interface block to communicate with the OpenOCD debugger.

Table 37: JTAG Ports

Port	Direction	Description
jtagCtrl_enable	Input	Indicates that the user instruction is active for the interface.
jtagCtrl_capture	Input	TAP controller is in the capture state.
jtagCtrl_shift	Input	TAP controller is in the shift state.
jtagCtrl_update	Input	TAP controller in the update state.
jtagCtrl_reset	Input	TAP controller is in the reset state.
jtagCtrl_tdi	Input	JTAG TDI for debugging.
jtagCtrl_tdo	Output	JTAG TDO for debugging.
jtagCtrl_tck	Input	JTAG TCK for debugging.

Custom Instruction Interface

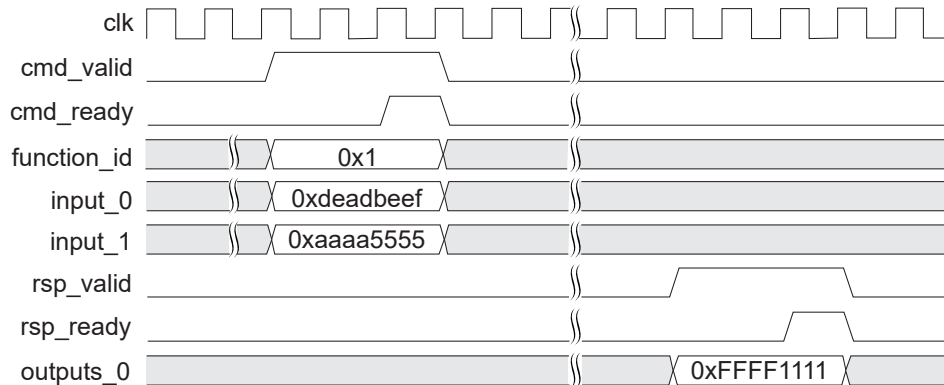
The Sapphire SoC supports a custom instruction interface so you can accelerate software functions with custom hardware logic. The custom instruction supports R-type instructions, which provides two registers ($rs1$ and $rs2$) to custom instruction processing logic and up to 1,024 IDs to perform different functions.

Table 38: Custom Instruction Ports

Where n is the core number (0, 1, 2, or 3).

Port	Direction	Description
cpun_customInstruction_cmd_valid	Output	Indicates that registers rs1 and rs2 are present and ready for processing.
cpun_customInstruction_cmd_ready	Input	Indicates that the custom processing logic is ready to process register rs1 and rs2 from the CPU.
cpun_customInstruction_function_id[9:0]	Output	Function id for the custom instruction.
cpun_customInstruction_inputs_0[31:0]	Output	Register rs1 for the custom instruction.
cpun_customInstruction_inputs_1[31:0]	Output	Register rs2 for the custom instruction.
cpun_customInstruction_rsp_valid	Input	Indicates that the custom instruction result is available.
cpun_customInstruction_rsp_ready	Output	Indicates that the CPU is ready to accept the custom instruction result.
cpun_customInstruction_outputs_0[31:0]	Input	Result of the custom instruction.

Figure 6: Custom Instruction Waveform



GPIO Peripheral Interface

Use the `SYSTEM_GPIO_0_IO_CTRL` or `SYSTEM_GPIO_1_IO_CTRL` parameter to reference the GPIO interface.

Table 39: GPIO Ports

Where n is 0 or 1, and where BIT can be configured to as 1, 2, 4, 8, or 16 bits.

Port	Direction	Description
<code>system_gpio_n_io_read[BIT-1:0]</code>	Input	GPIO input.
<code>system_gpio_n_io_write[BIT-1:0]</code>	Output	GPIO output.
<code>system_gpio_n_io_writeEnable[BIT-1:0]</code>	Output	GPIO output enable.

Table 40: GPIO Register Map

Address Offset	Register Name	Privilege	Width
<code>0x0000_0000</code>	Input	Read	32
<code>0x0000_0004</code>	Output	Read/Write	32
<code>0x0000_0008</code>	Output Enable	Read/Write	32
<code>0x0000_0020</code>	Interrupt Rise Enable	Read/Write	32
<code>0x0000_0024</code>	Interrupt Fall Enable	Read/Write	32
<code>0x0000_0028</code>	Interrupt High Enable	Read/Write	32
<code>0x0000_002C</code>	Interrupt Low Enable	Read/Write	32

Input Register: 0x0000_0000

31	16	15	0
Reserved		Input	

Bits	Field	Description	Privilege
0-(BIT-1)	Input	Input state of the GPIO pin (up to 16 pins). 1'b1: GPIO in high state 1'b0: GPIO in low state	Read
BIT-31	Reserved	Reserved.	N/A

Output Register: 0x0000_0004

31	16	15	0
Reserved		Output	

Bits	Field	Description	Privilege
0-(BIT-1)	Output	Output state of the GPIO pin (up to 16 pins). 1'b1: Configure GPIO as high 1'b0: Configure GPIO as low	Read/Write
BIT-31	Reserved	Reserved.	N/A

Output Enable Register: 0x0000_0008

31	16	15	0
Reserved		OE	

Bits	Field	Description	Privilege
0-(BIT-1)	OE	Enable GPIO output pin (up to 16 pins). 1'b1: Configure GPIO as output 1'b0: Configure GPIO as input	Read/Write
BIT-31	Reserved	Reserved.	N/A

Interrupt Rise Enable Register: 0x0000_0020

31	2	1	0
Reserved		IntRiseEn	

Bits	Field	Description	Privilege
0-1	IntRiseEn	Enable a rise interrupt on GPIO pins 0 and 1. 1'b1: Enable GPIO rising edge interrupt 1'b0: Disable GPIO rising edge interrupt	Read/Write
2-31	Reserved	Reserved.	N/A

Interrupt Fall Enable Register: 0x0000_0024

31	2	1	0
Reserved		IntFallEn	

Bits	Field	Description	Privilege
0-1	IntFallEn	Enable a fall interrupt on GPIO pins 0 and 1. 1'b1: Enable GPIO falling edge interrupt 1'b0: Disable GPIO falling edge interrupt	Read/Write
2-31	Reserved	Reserved.	N/A

Interrupt High Enable Register: 0x0000_0028

31	2	1	0
Reserved		IntHighEn	

Bits	Field	Description	Privilege
0-1	IntHighEn	Enable a high interrupt on GPIO pins 0 and 1. 1'b1: Enable GPIO high level interrupt 1'b0: Disable GPIO high level interrupt	Read/Write
2-31	Reserved	Reserved.	N/A

Interrupt Low Enable Register: 0x0000_002C

31	2	1	0
Reserved		IntLowEn	

Bits	Field	Description	Privilege
0-1	IntLowEn	Enable a low interrupt on GPIO pins 0 and 1. 1'b1: Enable GPIO low level interrupt 1'b0: Disable GPIO low level interrupt	Read/Write
2-31	Reserved	Reserved.	N/A

I²C Peripheral Interface

The Sapphire SoC has up to 3 I²C master/slave peripherals. You use the `system_i2c_2*` ports to calibrate the DDR DRAM memory; if you do not want to perform calibration, you can use this peripheral for your own purposes. Use these parameters to reference the interface:

Table 41: I²C Peripheral Ports (User)

Where n is 0, 1, or 2.

Port	Direction	Description
<code>system_i2c_n_io_sda_write</code>	Output	SDA output for user device.
<code>system_i2c_n_io_sda_read</code>	Input	SDA input for user device.
<code>system_i2c_n_io_scl_write</code>	Output	SCL output for user device.
<code>system_i2c_n_io_scl_read</code>	Input	SCL input for user device.

Table 42: I²C Register Map

Address Offset	Register Name	Privilege	Width
0x0000_0000	txData	Read/Write	32
0x0000_0004	txAck	Read/Write	32
0x0000_0008	rxData	Read/Write	32
0x0000_000C	rxAck	Read/Write	32
0x0000_0020	Interrupt	Read/Write	32
0x0000_0024	Interrupt Clears	Read/Write	32
0x0000_0028	Sampling Clock Divider	Write	32
0x0000_002C	Timeout	Write	32
0x0000_0030	tsuData	Write	32
0x0000_0040	Master Status	Read/Write	32
0x0000_0044	Slave Status	Read	32
0x0000_0048	Slave Override	Read/Write	32
0x0000_0050	tlow	Write	32
0x0000_0054	tHigh	Write	32
0x0000_0058	tBuf	Write	32
0x0000_0080	Hit Context	Read	32
0x0000_0084	Filtering Status	Read	32
0x0000_0088	Filtering Configuration 0	Write	32
0x0000_008C	Filtering Configuration 1	Write	32

txData Register: 0x0000_0000

31	12	11	10	9	8	7	0	
Reserved				DisableDataConflict	repeat	enable	valid	value

Bits	Field	Description	Privilege
0-7	value	Data field that stores transmitted data.	Write
8	valid	Write 1'b1 to indicate valid data for available transmission in the data field.	Read/Write
9	enable	Write 1'b1 to enable data transmission operation.	Read/Write
10	repeat	Write 1'b1 to enable data transmission operation in repeat mode.	Write
11	DisableDataConflict	Write 1'b1 to stop data transmission if your address negotiation had conflicted with another master.	Write
12-31	Reserved	Reserved.	N/A

txAck Register: 0x0000_0004

31	12	11	10	9	8	7	1	0	
Reserved				DisableDataConflict	repeat	enable	valid	Reserved	value

Bits	Field	Description	Privilege
0	value	Transmit acknowledge bit. 1'b1: Nack 1'b0: Ack	Write
1-7	Reserved	Reserved.	N/A
8	valid	Write 1'b1 to indicate available valid acknowledge bit to transmit.	Read/Write
9	enable	Write 1'b1 to enable the transmit operation acknowledge bit.	Read/Write
10	repeat	Write 1'b1 to enable the transmit operation acknowledge bit in repeat mode.	Write
11	DisableDataConflict	Write 1'b1 to stop the transmit acknowledge bit if your negotiation address is in conflict with another master.	Write
12-31	Reserved	Reserved.	N/A

rxData Register: 0x0000_0008

31	10	9	8	7	0
Reserved		listen	valid	value	

Bits	Field	Description	Privilege
0-7	value	Data field that stores received data.	Read
8	valid	Indicates the received data is ready.	Read
9	listen	Write 1'b1 to start listening data from respondents.	Write
10-31	Reserved	Reserved.	N/A

rxAck Register: 0x0000_000C

31	10	9	8	7	1	0
Reserved		listen	valid	Reserved		value

Bits	Field	Description	Privilege
0	value	Acknowledge bit to the respondent. 1'b1: Nack 1'b0: Ack	Read
1-7	Reserved	Reserved.	N/A
8	valid	Indicates received acknowledge bit is ready.	Read
9	listen	Write 1'b1 to start listening to the acknowledge bit from respondent.	Write
10-31	Reserved	Reserved.	N/A

Interrupt Register: 0x0000_0020

31	18	17	16	15	14	8	7	6	5	4	3	2	1	0				
Reserved				filterEnable	clockGenEnterEnable	clockGenExitEnable	Reserved				dropEnable	endEnable	restartEnable	startEnable	txAckEnable	txDataEnable	rxAckEnable	rxDataEnable

Bits	Field	Description	Privilege
0	rxDataEnable	Write 1'b1 to enable interrupt when valid data is received.	Read/Write
1	rxAckEnable	Write 1'b1 to enable interrupt when valid acknowledge bit is received.	Read/Write
2	txDataEnable	Write 1'b1 to enable interrupt when valid data is transmitted.	Read/Write
3	txAckEnable	Write 1'b1 to enable interrupt when valid acknowledge bit is transmitted.	Read/Write
4	startEnable	Write 1'b1 to enable interrupt when a transfer is in START state.	Read/Write
5	restartEnable	Write 1'b1 to enable interrupt when a transfer is restarted.	Read/Write
6	endEnable	Write 1'b1 to enable interrupt when a transfer is in STOP state.	Read/Write
7	dropEnable	Write 1'b1 to enable interrupt when a transfer is dropped due to conflict or timeout.	Read/Write
8-14	Reserved	Reserved.	N/A
15	clockGenExitEnable	Write 1'b1 to enable interrupt when the controller stops generating clock output.	Read/Write
16	clockGenEnterEnable	Write 1'b1 to enable interrupt when the controller starts generating clock input.	Read/Write
17	filterEnable	Write 1'b1 to enable interrupt when the controller acts as slave and its address filter is triggered.	Read/Write
18-31	Reserved	Reserved.	N/A

Interrupt Clears Register: 0x0000_0024

31	18	17	16	15	14	8	7	6	5	4	3	0		
Reserved				filterFlag	clockGenEnterFlag	clockGenExitFlag	Reserved			dropFlag	endFlag	restartFlag	startFlag	Reserved

Bits	Field	Description	Privilege
0-3	Reserved	Reserved.	N/A
4	startFlag	Start interrupt status. 1'b1: A transfer is in START state Write 1'b1 to clear the flag.	Read/Write
5	restartFlag	Restart interrupt status. 1'b1: A transfer is restarted Write 1'b1 to clear the flag.	Read/Write
6	endFlag	End interrupt status. 1'b1: A transfer is in STOP state Write 1'b1 to clear the flag.	Read/Write
7	dropFlag	Drop interrupt status. 1'b1: A transfer is dropped Write 1'b1 to clear the flag.	Read/Write
8 - 14	Reserved	Reserved.	N/A
15	clockGenExitFlag	Master clock generation exit interrupt status. 1'b1: Controller stops generating output clock. Write 1'b1 to clear the flag.	Read/Write
16	clockGenEnterFlag	Master clock generation enterinterrupt status. 1'b1: Controller starts generating output clock. Write 1'b1 to clear the flag.	Read/Write
17	filterFlag	Address filter interrupt status. 1'b1: Controller as slave and its address filter is triggered Write 1'b1 to clear the flag.	Read/Write
18-31	Reserved	Reserved.	N/A

Sampling Clock Divider Register: 0x0000_0028

31	10	9	0
Reserved		samplingClockDivider	

Bits	Field	Description	Privilege
0-9	samplingClockDivider	Sampling rate = (FCLK/(samplingClockDivider + 1) Controls the rate at which the I2C controller samples SCL and SDA. FCLK is the system clock (io_systemClk) to the SoC. If you enable the peripheral clock, then FCLK is driven by the peripheral clock (io_peripheralClk) instead.	Write
10-31	Reserved	Reserved.	N/A

Timeout Register: 0x0000_002C

31	20	19	0
Reserved		value	

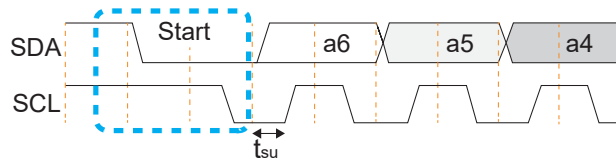
Bits	Field	Description	Privilege
0-19	value	Inactive timeout clock cycle. The controller will drop the transfer when the value of the timeout is reached or exceeded. Setting the timeout value to zero will disable the timeout feature. The clock cycle refers to FCLK.	Write
20-31	Reserved	Reserved.	N/A

tsuData Register: 0x0000_0030

31	6	5	0
Reserved		value	

Bits	Field	Description	Privilege
0-5	value	Data setup time. The number of clock cycles should SDA hold its state before the rising edge of SCL. The clock cycle refers to FCLK.	Write
6-31	Reserved	Reserved.	N/A

Figure 7: tsuData Register Waveform



Master Status Register: 0x0000_0040

31	12	11	10	9	8	7	6	5	4	3	1	0	
Reserved			recoverDropped	stopDropped	startDropped	Reserved	Recover	drop	stop	start	Reserved		isBusy

Bits	Field	Description	Privilege
0	isBusy	The busy status of the controller. 1'b1: Busy 1'b0: Idle	Read
1-3	Reserved	Reserved.	N/A
4	start	Master issues the START bit.	Read/Write
5	stop	Master issues the STOP bit.	Read/Write
6	drop	Master drops the transfer due to address conflict.	Read/Write
7	Recover	Master issues recover sequence by toggling the SCL line multiple times to recover the slave. 1'b1: Trigger recover sequence. 1'b0: Idle	Read/Write
8	Reserved	Reserved	N/A
9	startDropped	Indicates timeout occurred during the start transaction. 1'b1: Timeout occurred. 1'b0: No timeout occurred. Write 1'b1 to reset this flag.	Read/Write
10	stopDropped	Indicates timeout occurred during the stop transaction. 1'b1: Timeout occurred. 1'b0: No timeout occurred. Write 1'b1 to reset this flag.	Read/Write
11	recoverDropped	Indicates timeout occurred during the recover transaction. 1'b1: Timeout occurred. 1'b0: No timeout occurred. Write 1'b1 to reset this flag.	Read/Write
12-31	Reserved	Reserved	N/A

Slave Status Register: 0x0000_0044

31	3	2	1	0	
Reserved			Scl	Sda	inFrame

Bits	Field	Description	Privilege
0	inFrame	Indicates whether the controller is inFrame, where the transaction is in progress. The controller is expected to be inFrame after a successful start is sent out. the controller would exit the inFrame after a successful stop is sent out. 1'b1: InFrame 1'b0: Idle	Read
1	Sda	Current state of SDA line. 1'b1: High state 1'b0: Low state	Read
2	Scl	Current state of SCL line. 1'b1: High state 1'b0: Low state	Read
3-31	Reserved	Reserved	N/A

Slave Override Register: 0x0000_0048

31	3	2	1	0	
Reserved			Scl	Sda	Reserved

Bits	Field	Description	Privilege
0	Reserved	Reserved	N/A
1	Sda	Force SDA line. 1'b1: release SDA bus 1'b0: Force SDA bus to pull low	Read/Write
2	Scl	Force SCL line. 1'b1: Release SCL bus 1'b0: Force SCL bus to pull low	Read/Write
3-31	Reserved	Reserved	N/A

tLow Register: 0x0000_0050

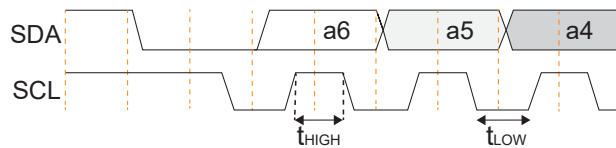
31	12	11	0
Reserved		value	

Bits	Field	Description	Privilege
0-11	value	The number of clock cycles of SCL in LOW state. The clock cycle refers to FCLK.	Write
12-31	Reserved	Reserved.	N/A

tHigh Register: 0x0000_0054

31	12	11	0
Reserved		value	
Bits	Field	Description	Privilege
0-11	value	The number of clock cycles of SCL in HIGH state. The clock cycle refers to FCLK.	Write
12-31	Reserved	Reserved.	N/A

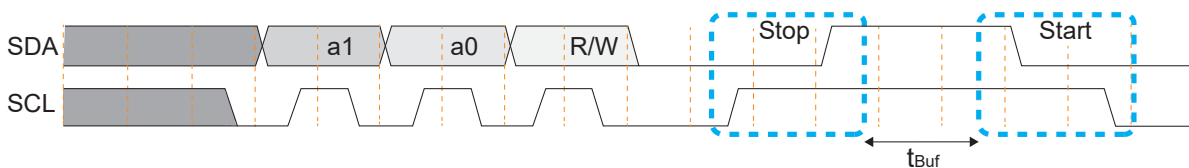
Figure 8: tHigh and tLow Register Waveform



tBuf Register: 0x0000_0058

31	12	11	0
Reserved		value	
Bits	Field	Description	Privilege
0-11	value	The number of clock cycles delay before master can initiate a START bit after a STOP bit is issued. The clock cycle refers to FCLK.	Write
12-31	Reserved	Reserved.	N/A

Figure 9: tBuf Register Waveform



Hit Context Register: 0x0000_0080

31	Reserved		2	1	0
			hit_1	hit_0	
Bits	Field	Description	Privilege		
0	hit_0	Address filter 0 status. 1'b1: Request address from master which is matched using the value set by Filtering Configuration 0 Register	Read		
1	hit_1	Address filter 1 status. 1'b1: Request address from master which is matched using the value set by Filtering Configuration 1 Register	Read		
2-31	Reserved	Reserved.	N/A		

Filtering Status Register: 0x0000_0084

31	1	0
Reserved		rw

Bits	Field	Description	Privilege
0	rw	Read/Write attributes of requested address from master. 1'b1: Read operation 1'b0: Write operation	Read
1-31	Reserved	Reserved.	N/A

Filtering Configuration 0 Register: 0x0000_0088

31	16	15	14	13	10	9	0
Reserved				enable	10 bit address	Reserved	value

Bits	Field	Description	Privilege
0-9	value	Set target address to be filtered.	Write
10-13	Reserved	Reserved.	N/A
14	10 bit address	Set the target address bits width. 1'b1: 10 bits 1'b0: 7 bits	Write
15	enable	Enable address filter 0.	Write
16-31	Reserved	Reserved.	N/A

Filtering Configuration 1 Register: 0x0000_008C

31	16	15	14	13	10	9	0
Reserved				enable	10 bit address	Reserved	value

Bits	Field	Description	Privilege
0-9	value	Set target address to be filtered.	Write
10-13	Reserved	Reserved.	N/A
14	10 bit address	Set the target address bits width. 1'b1: 10 bits 1'b0: 7 bits	Write
15	enable	Enable address filter 1.	Write
16-31	Reserved	Reserved.	N/A

PLIC Peripheral Interface

Use the `SYSTEM_PLIC_CTRL` parameter to reference the interface PLIC interface.

Table 43: RISC-V PLIC Operation Parameters

Defines	Description
Interrupt priorities registers	The interrupt priority for each interrupt source.
Interrupt pending bits registers	The interrupt pending status of each interrupt source.
Interrupt enables registers	Enables the interrupt source of each context.
Priority thresholds registers	The interrupt priority threshold of each context.
Interrupt claim registers	The register to acquire interrupt source ID of each context.
Interrupt completion registers	The register to send interrupt completion message to the associated gateway.

The `soc.h` file contains a number of PLIC parameters to specify the interrupt ID for the various peripherals.

Table 44: PLIC Interrupt ID Parameters

Where `n` is the peripheral number and `m` is the interrupt ID.

Parameter	Refer to
<code>SYSTEM_PLIC_SYSTEM_I2C_n_IO_INTERRUPT m</code>	Interrupt Register: 0x0000_0020 on page 29 Interrupt Clears Register: 0x0000_0024 on page 30
<code>SYSTEM_PLIC_SYSTEM_GPIO_n_IO_INTERRUPTS_0 m</code>	Interrupt Low Enable Register: 0x0000_002C on page 25 Interrupt High Enable Register: 0x0000_0028 on page 25 Interrupt Fall Enable Register: 0x0000_0024 on page 25 Interrupt Rise Enable Register: 0x0000_0020 on page 25
<code>SYSTEM_PLIC_SYSTEM_AXI_A_INTERRUPT</code>	Interrupts on page 15
<code>SYSTEM_PLIC_SYSTEM_SPI_n_IO_INTERRUPT m</code>	Interrupt Register: 0x0000_000C on page 39
<code>SYSTEM_PLIC_SYSTEM_UART_n_IO_INTERRUPT m</code>	Status Register: 0x0000_0004 on page 44
<code>SYSTEM_PLIC_USER_INTERRUPT_A_INTERRUPT</code> <code>SYSTEM_PLIC_USER_INTERRUPT_B_INTERRUPT</code> <code>SYSTEM_PLIC_USER_INTERRUPT_C_INTERRUPT</code> <code>SYSTEM_PLIC_USER_INTERRUPT_D_INTERRUPT</code> <code>SYSTEM_PLIC_USER_INTERRUPT_E_INTERRUPT</code> <code>SYSTEM_PLIC_USER_INTERRUPT_F_INTERRUPT</code> <code>SYSTEM_PLIC_USER_INTERRUPT_G_INTERRUPT</code> <code>SYSTEM_PLIC_USER_INTERRUPT_H_INTERRUPT</code>	Interrupts on page 15
<code>SYSTEM_PLIC_SYSTEM_USER_TIMER_n_INTERRUPTS_m</code>	Timer Limit Register: 0x0000_00044

SPI Master Peripheral Interface

The SPI master peripheral interface supports traditional dual-line full-duplex mode as well as half-duplex mode in 2 and 4-wire SPI. The SPI data width is configurable up to 16 bits. Half-duplex mode is only available when the SPI data width is configured as 8 or 16. When implementing the SPI peripheral in traditional dual-line mode, use the `data_0` ports as MOSI and and the `data_1` ports as MISO.

Use these parameters to reference the interface:

- SPI master 0—SYSTEM_SPI_0_IO_CTRL
- SPI master 1—SYSTEM_SPI_1_IO_CTRL
- SPI master 2—SYSTEM_SPI_2_IO_CTRL

Table 45: SPI Master Ports

Where n is 0, 1, or 2

Port	Direction	Description
system_spi_n_io_sclk_write	Output	SPI SCK.
system_spi_n_io_data_0_writeEnable	Output	SPI output enable for data 0.
system_spi_n_io_data_0_read	Input	SPI input for data 0.
system_spi_n_io_data_0_write	Output	SPI output for data 0.
system_spi_n_io_data_1_writeEnable	Output	SPI output enable for data 1.
system_spi_n_io_data_1_read	Input	SPI input for data 1.
system_spi_n_io_data_1_write	Output	SPI output for data 1.
system_spi_n_io_data_2_writeEnable	Output	SPI output enable for data 2.
system_spi_n_io_data_2_read	Input	SPI input for data 2.
system_spi_n_io_data_2_write	Output	SPI output for data 2.
system_spi_n_io_data_3_read	Input	SPI input for data 3.
system_spi_n_io_data_3_write	Output	SPI output for data 3.
system_spi_n_io_data_3_writeEnable	Output	SPI output enable for data 3.
system_spi_n_io_ss	Output	SPI SS.

Table 46: SPI Master Register Map

Address Offset	Register Name	Privilege	Width
0x0000_0000	Cmd	Read/Write	32
0x0000_0004	RSP	Read	32
0x0000_0008	Config	Write	32
0x0000_000C	Interrupt	Read/Write	32
0x0000_0020	ClockDivider	Write	32
0x0000_0024	ssSetup	Write	32
0x0000_0028	ssHold	Write	32
0x0000_002C	ssDisable	Write	32
0x0000_0030	ssActiveHigh	Write	32
0x0000_0050	cmd_writeLarge	Write	32
0x0000_0054	cmd_readWriteLarge	Write	32
0x0000_0058	cmd_readLarge	Read	32

Cmd Register: 0x0000_0000

31	30	12	11	10	9	8	7	0
Read Invalid	Reserved			SS	Reserved	RD	WR	data

Bits	Field	Description	Privilege
0-7	data	Data field that stores data that is transmitted or received, or chip select ID. For chip-select enablement, you should write 1'b1 to bit[7].	Read/Write
8	WR	Write 1'b1 to trigger a SPI write command. Data in the data field of this register will be transmitted.	Write
9	RD	Write 1'b1 to trigger a SPI read command. The read data will be stored in the data field of this register after the SPI read command is processed.	Write
10	Reserved	Reserved.	N/A
11	SS	Write 1'b1 to indicate the operation is for chip-select enablement.	Write
12-30	Reserved	Reserved.	N/A
31	Read invalid	Indicates whether the read data in the data field is invalid. 1: Read data is invalid 0: Read data is valid	Read

RSP Register: 0x0000_0004

31	25	24	16	15	9	8	0
Reserved			RspFifoOccupancy		Reserved		CmdFifoAvailability

Bits	Field	Description	Privilege
0-8	CmdFifoAvailability	Shows the number of operation command that is available in Cmd Fifo. The command includes write, read, and chip select operation.	Read
9-15	Reserved	Reserved.	N/A
16-24	RspFifoOccupancy	Shows the occupancy in RSP FIFO, indicates the number of valid data to be read.	Read
25-31	Reserved	Reserved.	N/A

Config Register: 0x0000_0008

31	6	5	4	3	2	1	0
Reserved				mode	Reserved	cpha	cpol

Bits	Field	Description	Privilege
0	cpol	Clock polarity during idle state. 1'b1: High 1'b0: Low	Write
1	cpha	Clock phase setting. 1'b1: Data sampled at falling edge 1'b0: Data sampled at rising edge	Write
2-3	Reserved	Reserved.	N/A
4-5	mode	0: Full-duplex dual line 1: Half-duplex dual line (Available only when data width is configured as 8 or 16) 2: Half-duplex quad line (Available only when data width is configured as 8 or 16)	Write
6-31	Reserved	Reserved.	N/A

Interrupt Register: 0x0000_000C

31	17	16	15	10	9	8	7	2	1	0		
Reserved			cmdValid	Reserved			rsplnt	cmdInt	Reserved		rsplntEnable	cmdIntEnable

Bits	Field	Description	Privilege
0	cmdIntEnable	Flag interrupt when Cmd FIFO is empty. 1'b1: Enable 1'b0: Disable	Read/Write
1	rsplntEnable	Flag interrupt when Rsp FIFO not empty interrupt enable. 1'b1: Enable 1'b0: Disable	Read/Write
2-7	Reserved	Reserved.	N/A
8	cmdInt	Cmd FIFO interrupt status. 1'b1: Interrupt flagged 1'b0: Interrupt not flagged	Read
9	rsplnt	Rsp FIFO interrupt status. 1'b1: Interrupt flagged 1'b0: Interrupt not flagged	Read
10-15	Reserved	Reserved.	N/A
16	cmdValid	Cmd FIFO is not empty.	Read
17-31	Reserved	Reserved.	N/A

clockDivider Register: 0x0000_0020

31	12	11	0
Reserved		clockDivider	

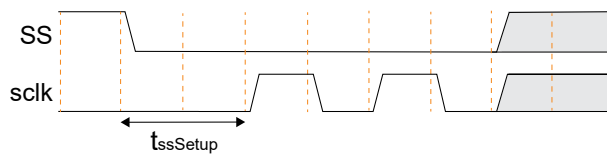
Bits	Field	Description	Privilege
0-11	clockDivider	SPI frequency = $FCLK / ((\text{clockDivider} + 1) * 2)$ FCLK is the system clock (io_systemClk) to the SoC. If you enable the peripheral clock, then FCLK is driven by the peripheral clock (io_peripheralClk) instead.	Write
12-31	Reserved	Reserved.	N/A

ssSetup Register: 0x0000_0024

31	12	11	0
Reserved		ssSetup	

Bits	Field	Description	Privilege
0-11	ssSetup	Clock cycle between activated chip-select and first rising-edge of SCLK. Clock cycle refers to FCLK.	Write
12-31	Reserved	Reserved.	N/A

Figure 10: ssSetup Register Waveform

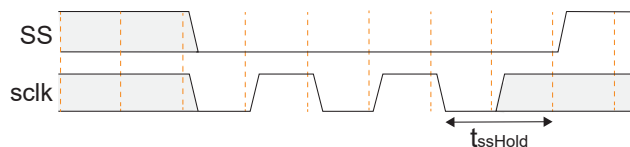


ssHold Register: 0x0000_0028

31	12	11	0
Reserved		ssHold	

Bits	Field	Description	Privilege
0-11	ssHold	Clock cycle between last falling-edge and deactivated chip-select is activated. Clock cycle refers to FCLK.	Write
12-31	Reserved	Reserved.	N/A

Figure 11: ssHold Register Waveform

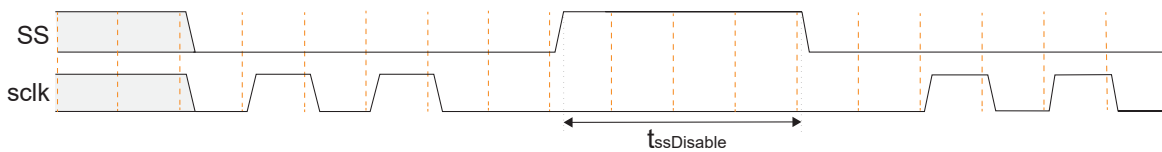


ssDisable Register: 0x0000_002C

31	12	11	0
Reserved		ssDisable	

Bits	Field	Description	Privilege
0-11	ssDisable	Clock cycle delay refers to the system clock (io_systemClk) before the next chip select can be activated. If you enable the peripheral clock, the clock cycle will refer to the peripheral clock (io_peripheralClk).	Write
12-31	Reserved	Reserved.	N/A

Figure 12: ssDisable Register Waveform



ssActiveHigh Register: 0x0000_0030

31	8	7	0
Reserved		ssActiveHigh	

Bits	Field	Description	Privilege
0-7	ssActiveHigh	These bits correspond to the hardware SPI chip select. 1'b1: Chip select is active high 1'b0: Chip select is active low	Write
8-31	Reserved	Reserved.	N/A

cmd_writeLarge Register: 0x0000_0050

31	16	15	0
Reserved		data	

Bits	Field	Description	Privilege
0-15	data	Data field for write operation that is more than 8 data bits. The write trigger will be issued automatically when you write value to this register.	Write
16-31	Reserved	Reserved.	N/A

cmd_readWriteLarge Register: 0x0000_0054

31	16	15	0
Reserved		data	

Bits	Field	Description	Privilege
0-15	data	Data field for write, then read operation that is more than 8 data bits. The write trigger will be issued automatically when you write value to this register.	Write
16-31	Reserved	Reserved.	N/A

cmd_readLarge Register: 0x0000_0058

31	16	15	0
Reserved		data	

Bits	Field	Description	Privilege
0-15	data	Data field that stores received data that is more than 8 data bits.	Read
16-31	Reserved	Reserved.	N/A



Note: To trigger a SPI read command for large data (more than 8 bits), just trigger a regular SPI read command from **Cmd Register (0x0)**.

UART Peripheral Interface

You can configure up to 3 UART peripherals. Each UART peripheral runs at 115200 baud and supports 8 data bits, no parity, and 1 stop bit. Use these parameters to reference the interface:

- UART 0—SYSTEM_UART_0_IO_CTRL
- UART 1—SYSTEM_UART_1_IO_CTRL
- UART 1—SYSTEM_UART_2_IO_CTRL

Table 47: UART Ports

Port	Direction	Description
system_uart_0_io_txd	Output	UART 0 transmit.
system_uart_0_io_rxd	Input	UART 0 receive.
system_uart_1_io_txd	Output	UART 1 transmit.
system_uart_1_io_rxd	Input	UART 1 receive.
system_uart_2_io_txd	Output	UART 2 transmit.
system_uart_2_io_rxd	Input	UART 2 receive.

Table 48: UART Register Map

Address Offset	Register Name	Privilege	Width
0x0000_0000	Data	Read/Write	32
0x0000_0004	Status	Read/Write	32
0x0000_0008	Clock divider	Write	32
0x0000_000C	Config register	Write	32
0x0000_0010	Error break	Read/Write	32

Data Register: 0x0000_0000

31	17	16	15	8	7	0
Reserved			dataValid	Reserved		data

Bits	Field	Description	Privilege
0-7	data	Data field which stores data that is transmitted or received.	Read/Write
8-15	Reserved	Reserved.	N/A
16	dataValid	Indicates read data that is available. 1'b1: Valid read data is available 1'b0: No data is being received	Read
17-31	Reserved	Reserved.	N/A

Status Register: 0x0000_0004

31	24	23	16	15	14	10	9	8	7	2	1	0
readOccupancy			writeAvailability		WriteBusy	Reserved		RxInterrupt	TxInterrupt	Reserved		TxInterrupt

Bits	Field	Description	Privilege
0	TXInterruptEnable	Flag interrupt when write or TX FIFO is empty. 1'b1: Enable 1'b0: Disable	Read/Write
1	RXInterruptEnable	Flag interrupt when read or RX FIFO is not empty. 1'b1: Enable 1'b0: Disable	Read/Write
2-7	Reserved	Reserved.	N/A
8	TxInterrupt	Write or TX FIFO interrupt status. 1'b1: Interrupt flagged 1'b0: Interrupt not flagged	Read
9	RxInterrupt	Read or RX FIFO interrupt status. 1'b1: Interrupt flagged 1'b0: Interrupt not flagged	Read
10-14	Reserved	Reserved.	N/A
15	WriteBusy	Write or transmit operation in progress. 1'b1: Busy 1'b0: Not busy	Read
16-23	writeAvailability	Shows the number of buffer that is available in write or TX FIFO.	Read
24-31	readOccupancy	Shows the occupancy in read or RX FIFO. Indicates the number of valid data to be read.	Read

Clock Divider Register: 0x0000_0008

31	20	19	0
Reserved		DividerFactor	

Bits	Field	Description	Privilege
0-19	DividerFactor	Divider factor for the UART baud rate. Baudrate = io_systemClk/(Data Length * DividerFactor)	Write
20-31	Reserved	Reserved.	N/A

Config Register: 0x0000_000C

31	17	16	15	10	9	8	7	3	2	0
Reserved			Stop	Reserved		Parity	Reserved		DataLength	

Bits	Field	Description	Privilege
0-2	DataLength	Data length. 3'b000 = 1 bit 3'b001 = 2 bits 3'b010 = 3 bits 3'b011 = 4 bits 3'b100 = 5 bits 3'b101 = 6 bits 3'b110 = 7 bits 3'b111 = 8 bits	Write
3-7	Reserved	Reserved.	N/A
8-9	Parity	Parity bit. 2'b00: None 2'b01: Even 2'b10: Odd	Write
10-15	Reserved	Reserved.	
16	Stop	Stop bit number. 1'b1 = 2 stop bits 1'b0 = 1 stop bit	Write
17-31	Reserved	Reserved.	N/A

Error Break Register: 0x0000_0010

31	12	11	10	9	8	7	2	1	0		
Reserved				DisableBreak	EnableBreak	BreakDetect	ReadBreak	Reserved		ReadOverFlow	ReadError

Bits	Field	Description	Privilege
0	ReadError	Error occurred during UART read operation. Write 1' b1 to reset the error.	Read/Write
1	ReadOverFlow	Read(RX) FIFO overflow error occurred. Write 1' b1 to reset the error.	Read/Write
2-7	Reserved	Reserved.	N/A
8	ReadBreak	Read break status. 1'b1: Break occurred 1'b0: Break not occurred	Read
9	BreakDetect	Break detected during read operation. Write 1' b1 to reset the error.	Read/Write
10	EnableBreak	Write 1'b1 to enable break detect.	Write
11	DisableBreak	Write 1'b1 to disable break detect.	Write
12-31	Reserved	Reserved.	N/A

User Timer

You can configure up to three user timers so you can perform actions such as timestamp and interrupts without using the core timer. You can adjust the interval period to generate a timer tick pulse by setting the prescaler register, based on the system clock or peripheral clock (if enabled).

Table 49: User Timer Register Map

Address Offset	Register Name	Privilege	Width
0x0000_0000	Prescaler	Read/Write	32
0x0000_0040	Timer configuration	Read/Write	32
0x0000_0044	Timer limit	Read/Write	32
0x0000_0048	Timer value	Read	32

Prescaler Register: 0x0000_0000

31	16	15	0
Reserved		Prescaler value	

Bits	Field	Description	Privilege
0-15	Prescaler value	The clock divider ratio. Example: 16'd0: divide by 1 16'd1: divide by 2 ... 16'd65534: divide by 65535 16'd65535: divide by 65536	Read/Write
16-31	Reserved	Reserved.	-

Timer Configuration Register: 0x0000_0040

31	17	16	15	2	1	0
Reserved			Self-restart	Reserved		With prescaler Without prescaler

Bits	Field	Description	Privilege
0	Without prescaler	Write 1'b1 to run timer without prescaler.	Read/Write
1	With prescaler	Write 1'b1 to run timer with prescaler.	Read/Write
2-15	Reserved	Reserved.	N/A
16	Self-restart	Write 1'b1 to enable self-restart when reach timer limit.	Read/Write
17-31	Reserved	Reserved.	N/A

Timer Limit Register: 0x0000_0044

31	0
Limit value	

Bits	Field	Description	Privilege
0-31	Limit value	Value for the timer to generate a trigger pulse. The final value with the prescaler enabled is: $(\text{limit value} + 1) * (\text{prescaler value} + 1)$	Read/Write

Timer Value Register: 0x0000_0048

31	0
Value	

Bits	Field	Description	Privilege
0-31	Value	Value of the increment counter.	Read

Clint

The core local interrupt (clint) consists of a 64-bit realtime counter, which is driven by `io_systemClk` or `io_peripheralClk` (if enabled). The clint counter value increases monotonically. Clint is also responsible for handling the control and status via software interrupt.

Table 50: Clint Register Map

Address Offset	Register Name	Privilege	Width
0x0000_0000	PIP	Read/Write	32
0x0000_4000	MTIMECMP (LO)	Write	32
0x0000_4004	MTIMECMP (HI)	Write	32
0x0000_BFF8	MTIME (LO)	Read	32
0x0000_BFFC	MTIME (HI)	Read	32

PIP Register: 0x0000_0000

31	2	0
Reserved		Software Interrupt

Bits	Field	Description	Privilege
0	Software Interrupt	Machine mode software interrupt.	Read/Write
2-31	Reserved	Reserved.	-

MTIMECMP Register (LO): 0x0000_4000

31	0
CMP value	

Bits	Field	Description	Privilege
0-31	CMP value	Timer interrupt trigger value (low 32 bits).	Write

MTIMECMP Register (HI): 0x0000_4004

31	0
CMP value	

Bits	Field	Description	Privilege
0-31	CMP value	Timer interrupt trigger value (high 32 bits).	Write

MTIME Register (LO): 0x0000_BFF8

31	0
Timer value	

Bits	Field	Description	Privilege
0-31	Timer value	Value of increment counter (low 32 bits).	Read

MTIME Register (HI): 0x0000_BFFC

31	0
Timer value	

Bits	Field	Description	Privilege
0-31	Timer value	Value of increment counter (high 32 bits).	Read

Control and Status Registers

The following tables show the machine-level CSR implementation.

Table 51: Machine Information Register

Address	Register Name	Privilege	Description	Width
0xF14	mhartid	Read	Hardware thread ID.	32

Table 52: Machine Trap Registers

Address	Register Name	Privilege	Description	Width
0x300	mstatus	Read/Write	Machine status register.	13
0x304	mie	Read/Write	Machine interrupt enable register.	12
0x305	mtvec	Read/Write	Machine trap handler base address.	32

Table 53: Machine Trap Handling Registers

Address	Register Name	Privilege	Description	Width
0x340	mscratch	Read/Write	Scratch register for machine trap handlers.	32
0x341	mpec	Read/Write	Machine exception program counter.	32
0x342	mcause	Read	Machine trap cause.	32
0x343	mtval	Read	Machine bad address or instruction.	32
0x344	mip	Read/Write	Machine interrupt pending.	12

Machine-Level CSR

Machine Status Register (mstatus): 0x300

The `mstatus` register is a 13-bits read/write register formatted. The `mstatus` register keeps track of and controls the hart's current operating state. Restricted views of the `mstatus` register appear as the `sstatus` and `ustatus` registers in the S-level and U-level ISAs, respectively.

31	30	20	19	18	17	16	15	14	13	12	11	10	8	7	6	4	3	2	1	0
SD	Reserved			MXR	SUM	MPRV	Reserved		FS	MPP		Reserved		MPIE	Reserved		MIE	Reserved	SIE	Reserved

Bits	Field	Description	Single/Multi-Core	w/FPU	w/MMU
0	Reserved	Reserved.	N/A	N/A	N/A
1	SIE	Machine global interrupt enable register.	N/A	N/A	Read/Write
2	Reserved	Reserved.	N/A	N/A	N/A
3	MIE	Machine interrupt enable register.	Read/Write	Read/Write	Read/Write
4-6	Reserved	Reserved.	N/A	N/A	N/A
7	MPIE	Machine previous interrupt enable.	Read/Write	Read/Write	Read/Write
8-10	Reserved	Reserved.	N/A	N/A	N/A
11-12	MPP	Machine previous privilege mode.	Read/Write	Read/Write	Read/Write
13-14	FS	Status of the floating-point unit. 2'b00: Off 2'b01: Initial 2'b10: Clean 2'b11: Dirty	N/A	Read	N/A
15-16	Reserved	Reserved.	N/A	N/A	N/A
17	MPRV	Modifies the privilege level that loads and stores the executables. 1'b1: Load and store memory address are translated and protected 1'b0: Normal mode	N/A	N/A	Read/Write
18	SUM	Modifies the privilege with which S-mode loads and stores access virtual memory. 1'b1: Access permitted 1'b0: S-mode memory accesses to pages that are accessible by U-mode will fault	N/A	N/A	Read/Write

Bits	Field	Description	Single/Multi-Core	w/FPU	w/MMU
19	MXR	Modifies the privilege that loads access virtual memory. 1'b1: Loads from pages marked with either readable or executable will succeed 1'b0: Only loads from pages marked readable will succeed	N/A	N/A	Read/Write
20-30	Reserved	Reserved.	N/A	N/A	N/A
31	SD	Indicates the presence of FS field with dirty state that requires saving extended user context to memory.	N/A	Read	N/A

Machine Interrupt Enable Register (mie): 0x304

The `mie` register is a 12-bit read/write register containing interrupt enable bits.

11	10	9	8	7	6	5	4	3	2	1	0
MEIE	Reserved	SEIE	Reserved	MTIE	Reserved	STIE	Reserved	MSIE	Reserved	SSIE	Reserved

Bits	Field	Description	Single/Multi-Core	w/FPU	w/MMU
0	Reserved	Reserved.	N/A	N/A	N/A
1	SSIE	Supervisor mode software interrupt.	N/A	N/A	Read/Write
2	Reserved	Reserved.	N/A	N/A	N/A
3	MSIE	Machine software interrupt enable.	Read/Write	Read/Write	Read/Write
4	Reserved	Reserved.	N/A	N/A	N/A
5	STIE	Supervisor mode timer interrupt enable.	N/A	N/A	N/A
6	Reserved	Reserved.	N/A	N/A	N/A
7	MTIE	Machine timer interrupt enable.	Read/Write	Read/Write	Read/Write
8	Reserved	Reserved.	N/A	N/A	N/A
9	SEIE	Supervisor mode external interrupt enable.	N/A	N/A	Read/Write
10	Reserved	Reserved.	N/A	N/A	N/A
11	MEIE	Machine external interrupt enable.	Read/Write	Read/Write	Read/Write

Machine Trap-Vector Base-Address Register (mtvec): 0x305

The `mtvec` register is a 32-bit read/write register that holds trap vector configuration, consisting of a vector base address (base) and a vector mode (mode).

31	2	1	0
base			mode

Bits	Field	Description	Single/ Multi-Core	w/FPU	w/MMU
0-1	mode	Vector mode. 0: Direct. All exceptions set pc to BASE 1: Vectored. Asynchronous interrupts set pc to BASE + 4xcause ≥ 2: Reserved	Read/Write	Read/Write	Read/Write
2-31	base	Vector base address.	Read/Write	Read/Write	Read/Write

Machine Scratch Register (mscratch): 0x340

The `mscratch` register is a 32-bit read/write register dedicated for use by machine mode. Typically, it is used to hold a pointer to a machine mode hart-local context space and swapped with a user register upon entry to an M-mode trap handler.

31	0
mscratch	

Bits	Field	Description	Single/ Multi-Core	w/FPU	w/MMU
0-31	mscratch	A temporary scratch space that can be used by machine mode software.	Read/Write	Read/Write	Read/Write

Machine Exception Program Counter (mepc): 0x341

`mepc` is a 32-bit read/write register. The low bit of `mepc` (`mepc[0]`) is always zero. On implementations that support only `IALIGN=32`, the two low bits (`mepc[1:0]`) are always zero.

31	0
mepc	

Bits	Field	Description	Single/ Multi-Core	w/FPU	w/MMU
0-31	mepc	Machine exception program counter.	Read/Write	Read/Write	Read/Write

Machine Cause Register (mcause): 0x342

The `mcause` register is a 32-bit read-write register. When a trap is taken into M-mode, `mcause` is written with a code indicating the event that caused the trap. Otherwise, `mcause` is never written by the implementation, though it may be explicitly written by software.

31	30	0
Interrupt	Exception Code	

Bits	Field	Description	Single/ Multi-Core	w/FPU	w/MMU
0-30	Exception code	See Table 54: Machine Cause Register (mcause) Values after Trap on page 55.	Read	Read	Read
31	Interrupt	mcause interrupt bit.	Read	Read	Read

Table 54: Machine Cause Register (mcause) Values after Trap

Interrupt	Exception Code	Description
1	0	Reserved.
1	1	Supervisor software interrupt.
1	2	Reserved.
1	3	Machine software interrupt.
1	4	User timer interrupt.
1	5	Supervisor timer interrupt.
1	6	Reserved.
1	7	Machine timer interrupt.
1	8	User external interrupt.
1	9	Supervisor external interrupt.
1	10	Reserved.
1	11	Machine external interrupt.
1	≥12	Reserved.
0	0	Instruction address misaligned.
0	1	Instruction access fault.
0	2	Illegal instruction.
0	3	Breakpoint.
0	4	Load address misaligned.
0	5	Load access fault.
0	6	Store/AMO address misaligned.
0	7	Store/AMO access fault.
0	8	Reserved.
0	9	Reserved.
0	10	Reserved.
0	11	Environment call from M-mode.
0	12	Instruction page fault.
0	13	Load page fault.
0	14	Reserved.
0	15	Store/AMO page fault.
0	≥16	Reserved.

Machine Trap Value Register (mtval): 0x343

The `mtval` register is a 32-bit register. When a trap is taken into M-mode, `mtval` is either set to zero or written with exception-specific information to assist software in handling the trap. Otherwise, `mtval` is never written by the implementation, though it may be explicitly written by software. The hardware platform will specify which exceptions must set `mtval` informatively and which may unconditionally set it to zero.

31	0
mtval	

Bits	Field	Description	Single/Multi Core	w/FPU	w/MMU
0-31	mtval	Machine trap value register bit.	Read/Write	Read/Write	Read/Write

Machine Interrupt Pending Register (mip): 0x344

The `mip` register is a 12-bit read/write register containing information on pending interrupts.

11	10	9	8	7	6	5	4	3	2	1	0
MEIP	Reserved	SEIP	Reserved	MTIP	Reserved	STIP	Reserved	MSIP	Reserved	SSIP	Reserved

Bits	Field	Description	Single/Multi-Core	w/FPU	w/MMU
0	Reserved	Reserved.	N/A	N/A	N/A
1	SSIP	Supervisor software interrupt pending.	N/A	N/A	Read/Write
2	Reserved	Reserved.	N/A	N/A	N/A
3	MSIP	Machine software interrupt pending.	Read/Write	Read/Write	Read/Write
4	Reserved	Reserved.	N/A	N/A	N/A
5	STIP	Supervisor timer interrupt pending.	N/A	N/A	R/W
6	Reserved	Reserved.	N/A	N/A	N/A
7	MTIP	Machine timer interrupt pending.	Read	Read	Read
8	Reserved	Reserved.	N/A	N/A	N/A
9	SEIP	Supervisor external interrupt pending.	N/A	N/A	Read/Write
10	Reserved	Reserved.	N/A	N/A	N/A
11	MEIP	Machine external interrupt pending.	Read	Read	Read

Hart ID Register (mhartid): 0xF14

The `mhartid` CSR is a 32-bit read-only register containing the integer ID of the hardware thread running the code. This register must be readable in any implementation. Hart IDs might not necessarily be numbered continuously in a multiprocessor system, but at least one hart must have a hart ID of zero. Hart IDs must be unique.

31	0
Hart ID	

Bits	Field	Description	Single / Multi-Core	w/FPU	w/MMU
0-31	Hart ID	Hardware thread ID.	Read	Read	Read

Timer Related CSR

CSR	Name	Description	Single / Multi-Core	w/FPU	w/MMU
0xC00	cycle	Cycle counter for RDCYCLE instruction.	N/A	N/A	Read
0xC01	time	Timer for RDTIME instruction.	N/A	N/A	Read
0xC02	timeh	Instructions-retired counter for RDINSTRET instruction.	N/A	N/A	Read

Floating-Point Related CSR

CSR	Name	Description	Single / Multi-Core	w/FPU	w/MMU
0x001	fflags	Floating-point accrued exceptions.	N/A	Read/Write	N/A
0x002	frm	Floating-point dynamic rounding mode.	N/A	Read/Write	N/A
0x003	fcsr	Floating-point control and status register (frm + fflags).	N/A	Read/Write	N/A

Supervisor-Level CSR

The supervisor should only view CSR state that should be visible to a supervisor-level operating system. There is no information about the existence (or non-existence) of higher privilege levels (machine level or other) visible in the CSRs accessible by the supervisor. Many supervisor CSRs are a subset of the equivalent machine mode CSR.

Supervisor Status Register (sstatus): 0x100

the sstatus register is a subset of the mstatus register.

31	30	20	19	18	17	16	15	14	13	12	9	8	7	6	5	4	2	1	0
SD	Reserved		MXR	SUM	MPRV	Reserved		FS	Reserved		SPP	Reserved		SPIE	Reserved			SIE	Reserved

Bits	Field	Description	Single/Multi-Core	w/FPU	w/MMU
0	Reserved	Reserved.	N/A	N/A	N/A
1	SIE	Supervisor global interrupt enable register.	N/A	N/A	Read/Write
2-4	Reserved	Reserved.	N/A	N/A	N/A
5	SPIE	Supervisor previous interrupt enable register.	N/A	N/A	Read/Write
6-7	Reserved	Reserved.	N/A	N/A	N/A
8	SPP	Supervisor previous privilege mode.	N/A	N/A	Read/Write
9-12	Reserved	Reserved.	N/A	N/A	N/A
13-14	FS	Status of the floating-point unit. 2'b00: Off 2'b01: Initial 2'b10: Clean 2'b11: Dirty	N/A	Read/Write	N/A
15-16	Reserved	Reserved	N/A	N/A	N/A
17	MPRV	Modifies the privilege level at which loads and stores the executables. 1'b1: Load and store memory address are translated and protected 1'b0: Normal mode	N/A	N/A	Read/Write
18	SUM	Modifies the privilege with which S-mode loads and stores access virtual memory. 1'b1: Access permitted 1'b0: S-mode memory accesses to pages that are accessible by U-mode will fault	N/A	N/A	Read/Write

Bits	Field	Description	Single/Multi-Core	w/FPU	w/MMU
19	MXR	Modifies the privilege that loads access virtual memory. 1'b1: loads from pages marked with either readable or executable will succeed 1'b0: only loads from page marked readable will succeed	N/A	N/A	Read/Write
20-30	Reserved	Reserved.	N/A	N/A	N/A
31	SD	Indicates the presence of FS field with dirty state that requires saving extended user context to memory.	N/A	Read/Write	N/A

Supervisor Interrupt Enable Register (sie): 0x104

The `sie` register is a 12-bit read/write register containing interrupt enable bits.

31	10	9	8	7	6	5	4	2	1	0
Reserved		SEIE	Reserved			STIE	Reserved		SSIE	Reserved

Bits	Field	Description	Single/Multi-Core	w/FPU	w/MMU
0	Reserved	Reserved.	N/A	N/A	N/A
1	SSIE	Supervisor mode software interrupt.	N/A	N/A	Read/Write
2-4	Reserved	Reserved.	N/A	N/A	N/A
5	STIE	Supervisor mode timer interrupt enable.	N/A	N/A	Read/Write
6-8	Reserved	Reserved.	N/A	N/A	N/A
9	SEIE	Supervisor mode external interrupt enable.	N/A	N/A	Read/Write
10-31	Reserved	Reserved.	N/A	N/A	N/A

Supervisor Trap-Vector Base-Address Register (stvec): 0x305

The `stvec` register is a 32-bit read/write register that holds trap vector configuration, consisting of a vector base address (`base`) and a vector mode (`mode`).

31	2	1	0
base		mode	

Bits	Field	Description	Single/Multi-Core	w/FPU	w/MMU
0-1	mode	Vector mode. 0: Direct. All exceptions set pc to BASE 1: Vectored. Asynchronous interrupts set pc to BASE + 4xcause ≥ 2: Reserved	N/A	N/A	Read/Write
2-31	base	Vector base address.	N/A	N/A	Read/Write

Supervisor Scratch Register (sscratch): 0x140

The `sscratch` register is a 32-bit read/write register dedicated for use by machine mode. Typically, `sscratch` is used to hold a pointer to the hart-local supervisor context while the hart is executing user code. At the beginning of a trap handler, `sscratch` is swapped with a user register to provide an initial working register.

31	0
sscratch	

Bits	Field	Description	Single/ Multi-Core	w/FPU	w/MMU
0-31	sscratch	A temporary scratch space that can be used by supervisor mode software.	N/A	N/A	Read/Write

Supervisor Exception Program Counter (sepc): 0x141

`sepc` is a 32-bit read/write register. The low bit of `sepc` (`sepc[0]`) is always zero. On implementations that support only `IALIGN=32`, the two low bits (`sepc[1:0]`) are always zero.

31	0
sepc	

Bits	Field	Description	Single/ Multi-Core	w/FPU	w/MMU
0-31	sepc	Supervisor exception program counter.	N/A	N/A	Read/Write

Supervisor Cause Register (scause): 0x142

The `scause` register is a 32-bit read-write register. When a trap is taken into S-mode, `scause` is written with a code indicating the event that caused the trap. Otherwise, `scause` is never written by the implementation, though it may be explicitly written by software.

31	30	0
Interrupt	Exception Code	

Bits	Field	Description	Single/Multi-Core	w/FPU	w/MMU
0-30	Exception code	See Table 55: Machine Cause Register (scause) Values after Trap on page 61.	N/A	N/A	Read
31	Interrupt	scause interrupt bit.	N/A	N/A	Read

Table 55: Machine Cause Register (scause) Values after Trap

Interrupt	Exception Code	Description
1	0	Reserved.
1	1	Supervisor software interrupt.
1	2-4	Reserved.
1	5	Supervisor timer interrupt.
1	6-8	Reserved.
1	9	Supervisor external interrupt.
1	10-15	Reserved.
0	0	Instruction address misaligned.
0	1	Instruction access fault.
0	2	Illegal instruction.
0	3	Breakpoint.
0	4	Load address misaligned.
0	5	Load access fault.
0	6	Store/AMO address misaligned.
0	7	Store/AMO access fault.
0	8	Environment call from U-mode.
0	9	Environment call from S-mode.
0	10	Reserved.
0	11	Environment call from M-mode.
0	12	Instruction page fault.
0	13	Load page fault.
0	14	Reserved.
0	15	Store/AMO page fault.
0	≥16	Reserved.

Supervisor Trap Value Register (stval): 0x143

The `stval` register is a 32-bit register. When a trap is taken into S-mode, `stval` is either set to zero or written with exception-specific information to assist software in handling the trap. Otherwise, `stval` is never written by the implementation, though it may be explicitly written by software. The hardware platform will specify which exceptions must set `stval` informatively and which may unconditionally set it to zero.

31					0
stval					
Bits	Field	Description	Single/Multi-Core	w/FPU	w/MMU
0-31	stval	Supervisor trap value register bit.	N/A	N/A	Read/Write

Supervisor Interrupt Pending Register (sip): 0x144

The `sip` register is a 12-bit read/write register containing information on pending interrupts.

11	10	9	8	7	6	5	4	3	2	1	0
Reserved		SEIP	Reserved			STIP	Reserved			SSIP	Reserved
Bits	Field	Description	Single/Multi-Core	w/FPU	w/MMU						
0	Reserved	Reserved.	N/A	N/A	N/A						
1	SSIP	Supervisor software interrupt pending.	N/A	N/A	Read/Write						
2-4	Reserved	Reserved.	N/A	N/A	N/A						
5	STIP	Supervisor timer interrupt pending.	N/A	N/A	Read/Write						
6-8	Reserved	Reserved.	N/A	N/A	N/A						
9	SEIP	Supervisor external interrupt pending.	N/A	N/A	Read/Write						
10-11	Reserved	Reserved.	N/A	N/A	N/A						

Supervisor Address Translation Protection Register (satp): 0x180

The `satp` register is a 32-bit register, which controls supervisor mode address translation and protection. This register holds the physical page number (PPN) of the root page table. For example, its supervisor physical address divided by 4KB; an address space identifier (ASID) that facilitates address translation fences on a per-address-space basis; and the `MODE` field that elects the current address translation scheme.

31	30	22	21	0	
MODE	ASID			PPN	
Bits	Field	Description	Single/Multi-Core	w/FPU	w/MMU
0-21	PPN	Physical page number.	N/A	N/A	Read/Write
22-30	ASID	Address space identifier.	N/A	N/A	Read/Write
31	MODE	1'b1: Page-based 32-bits virtual processing. 1'b0: No translation or protection.	N/A	N/A	Read/Write

Revision History

Table 56: Revision History

Date	Version	Description
December 2023	4.0	Updated 钛金系列 and Resource Utilization and Performance and Performance Benchmark in Features. (DOC-1533)
July 2023	3.3	Updated Little-Endian in the topic VexRiscv RISC-V Core. (DOC-1380)
June 2023	3.2	Updated the following sections: (DOC-1253) Trion Resource Utilization and Performance Performance Benchmark 1 and 2 tables. Interrupt Register: 0x0000_0020 Interrupt Clears Register: 0x0000_0024 Master Status Register: 0x0000_0040 Timeout Register: 0x0000_002C Added new topics: Slave Status Register: 0x0000_0044 Slave Override Register: 0x0000_0048
January 2023	3.1	Updated of interface details in Features topic and Sapphire RISC-V SoC Design Flow figure. Added new section in Features topic: Performance Benchmark. Updated the tables in UART Peripheral Interface → Status Register: 0x0000_0004, Config Register: 0x0000_000C, Error Break Register: 0x0000_0010. Updated tables in User Timer → Prescaler Register: 0x0000_0000 and Timer Configuration Register: 0x0000_0040. Changed main topic title of Machine-Level ISA to Machine-Level CSR. Updated all topics in Machine-Level CSR. Added new main topic Supervisor-Level CSR.
August 2022	3.0	Updated to add multi-core support specifications. Added clint description and registers. Added mscratch register.
June 2022	2.2	The VexRiscv core used in the Sapphire SoC has six pipeline stages.
February 2022	2.1	Updated the Config Register for the SPI Master Peripheral Interface. (DOC-692)
December 2021	2.0	The SoC now supports a floating point unit, Linux memory management unit, custom instruction, and optional RISC-V extensions such as atomic and compressed. The SoC has a core timer and up to 3 user timers. The machine timer is removed. The SoC has an optional I/O peripheral clock and reset for clocking the APB3 peripherals. The address map parameters have changed. Clarified AXI interface description. (DOC-633)
September 2021	1.1	The SoC minimum frequency changed to 20 MHz. (DOC-544) Updated resource utilization and performance. (DOC-544) The APB slave size is configurable. (DOC-544) The AXI slave size is 256 MB maximum. (DOC-544)
July 2021	1.0	Initial release.